

## EC DECLARATION OF CONFORMITY

Manufacturer:

IAI CORPORATION  
577-1 Obane, Shimizu-Ku, Shizuoka City, Shizuoka 424-0103 Japan

Authorized representative within the Community:

IAI Industrieroboter GmbH  
Ober der Röth 4, D-65824 Schwalbach am Taunus, Germany

Hereby declares that the equipment described below:

Equipment:

Solenoid Gripper  
(GRS series)

Models covered are shown after the following page

Complies with the essential requirements of the EMC Directive 2014/30/EU, based on the following specifications applied

EN 55011 :2016/A1 :2017/A11 :2020,      EN 61000-6-2 :2005/AC :2005,  
EN 61800-3 :2004/A1 :2012

And also complies with the provisions of the RoHS Directive 2011/65/EU+(EU)2015/863, based on the following specifications applied :

EN IEC 63000 :2018

Done at Shizuoka, Japan,

On 23. Aug. , 2021

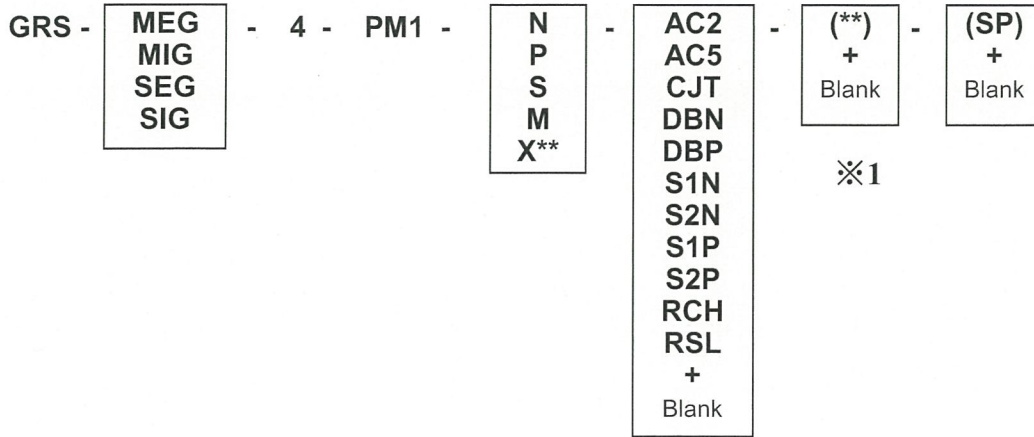


President Toru Ishida



**ORIGINAL**

GRS series



**+ : Others may exist**

**※1 : Specified user's (Construction is the same as standard model except this item) discrimination code which may be set not only this position but in the option column or before the option column.**