

## EC DECLARATION OF CONFORMITY

Manufacturer:

IAI CORPORATION  
577-1 Obane, Shimizu-Ku, Shizuoka City, Shizuoka 424-0103 Japan

Authorized representative within the Community:

IAI Industrieroboter GmbH  
Ober der Röth 4, D-65824 Schwalbach am Taunus, Germany

Hereby declares that the equipment described below:

Equipment:

Industrial Robot  
(ISA, ISPA, ISB, ISPB, NS, SSPA series and specified RCS2 model)

Models covered are shown after the following page

Complies with the essential requirements of the EMC Directive 2014/30/EU, based on the following specifications applied:

EN 55011 :2016/A1 :2017/A11 :2020      EN 61000-6-2 :2005/AC :2005  
EN 61800-3 :2004/A1 :2012

Also complies with the provisions of the Low Voltage Directive 2014/35/EU, based on the following specifications applied:

EN 61800-5-1 :2007  
EN 60204-1 :2018

And complies with the provisions of the RoHS Directive 2011/65/EU+(EU)2015/863, based on the following specifications applied:

EN IEC 63000 :2018

Done at Shizuoka, Japan,

On 23. Aug. , 2021

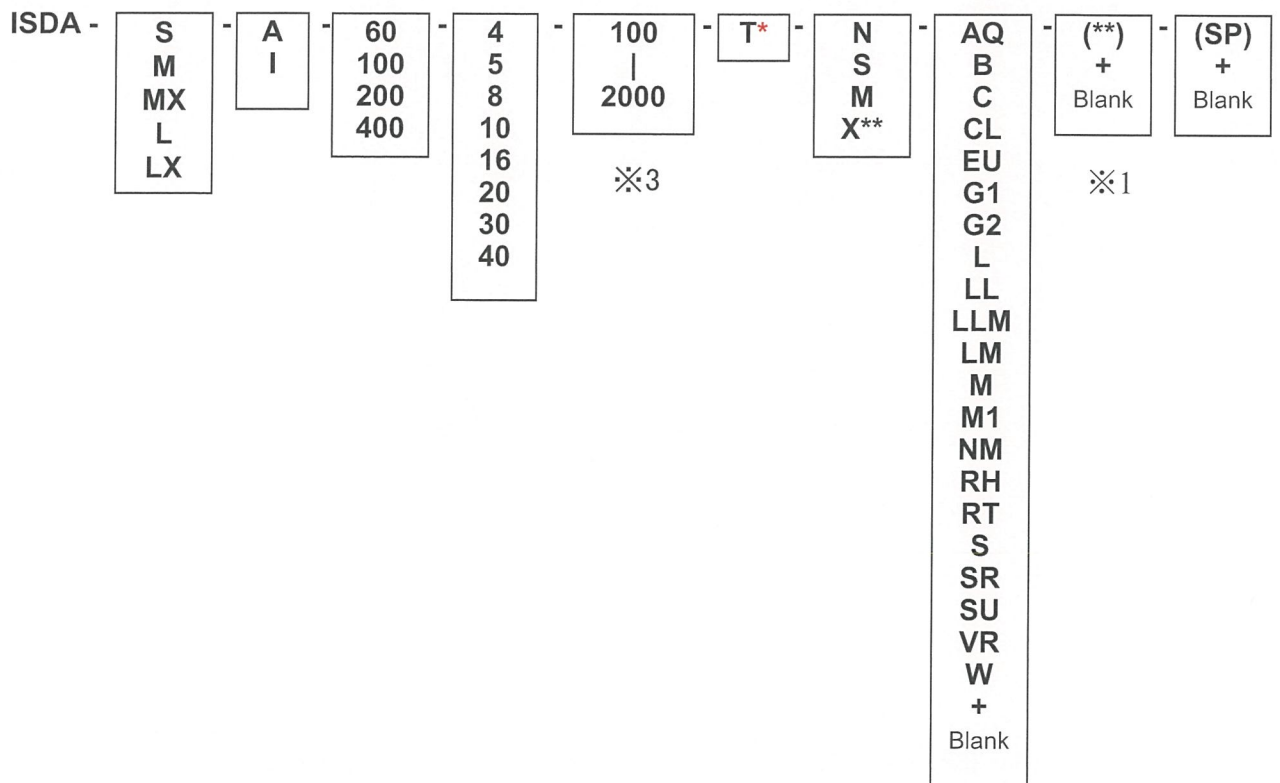
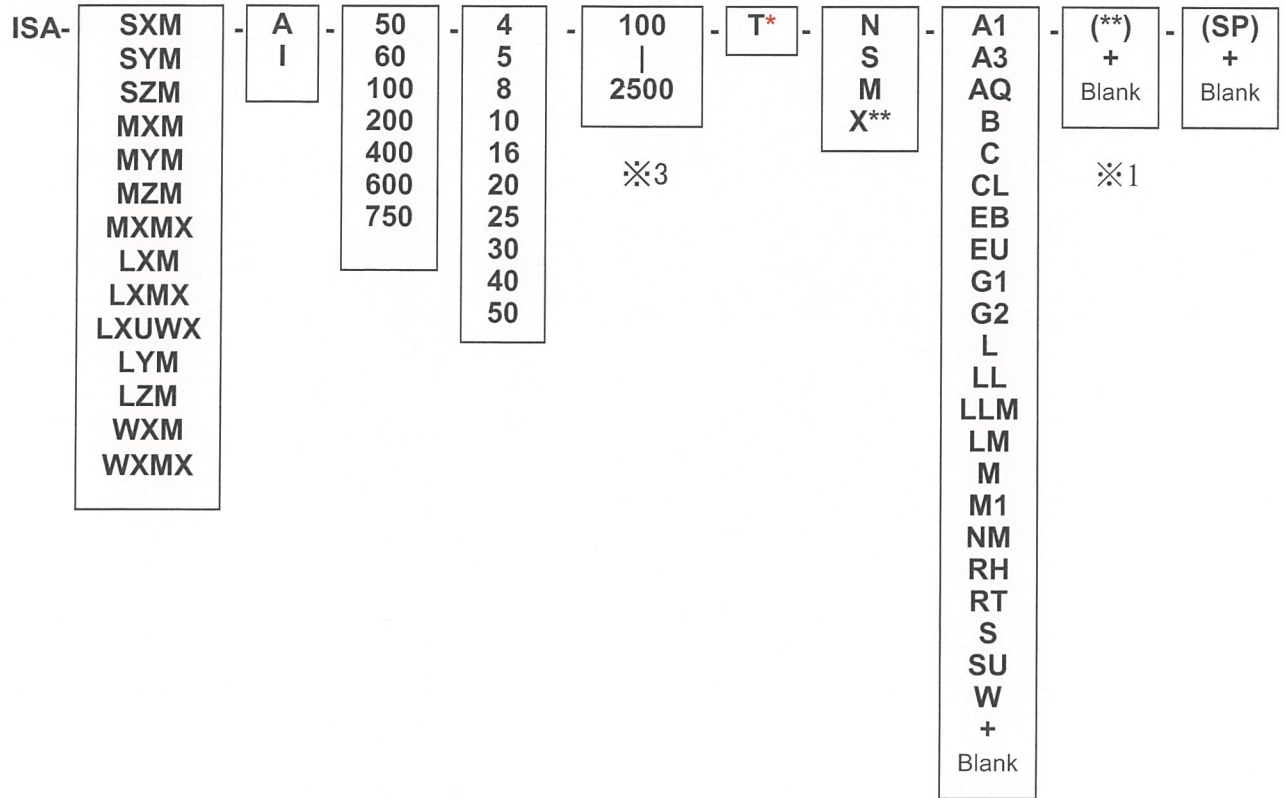


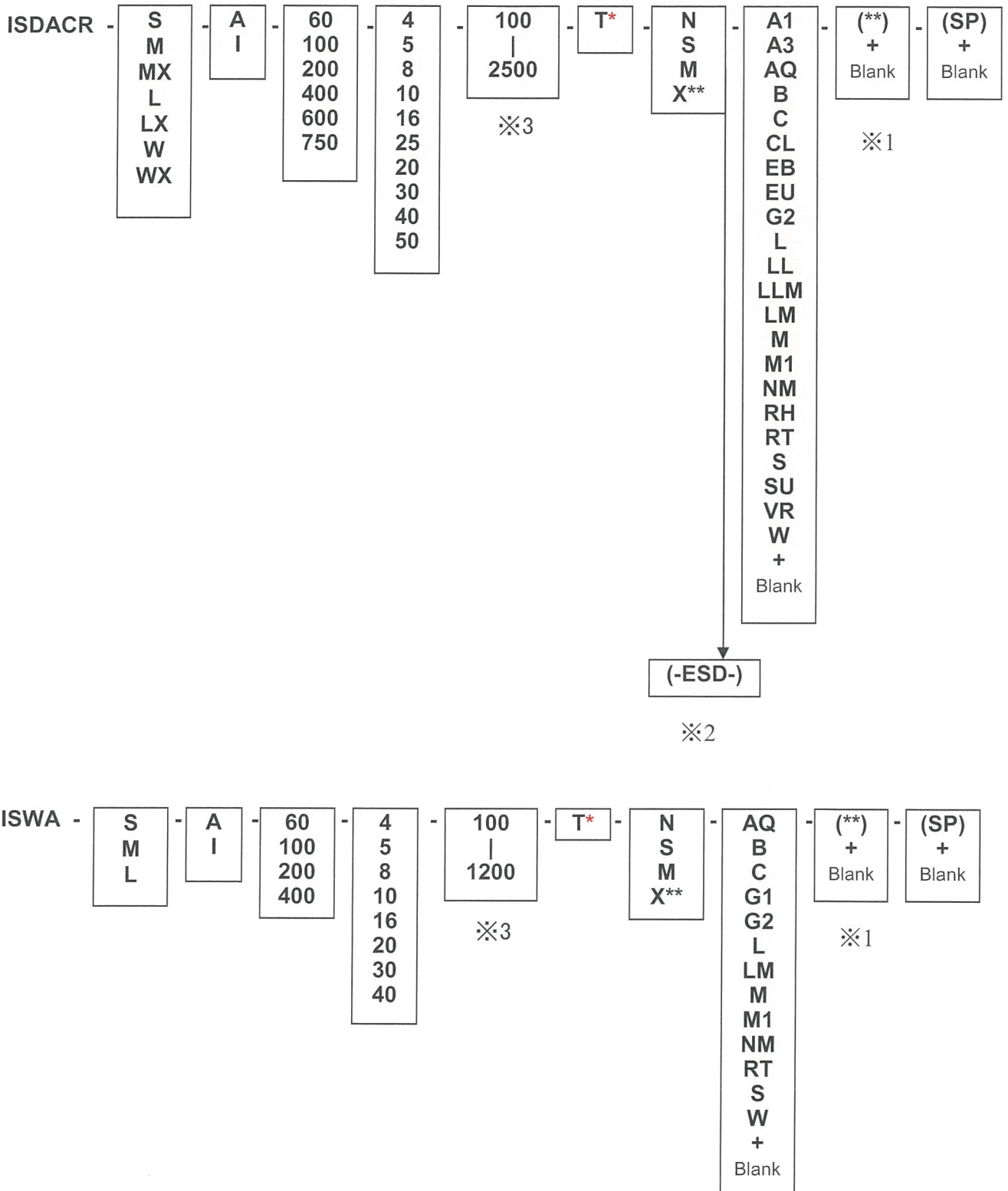
President Toru Ishida



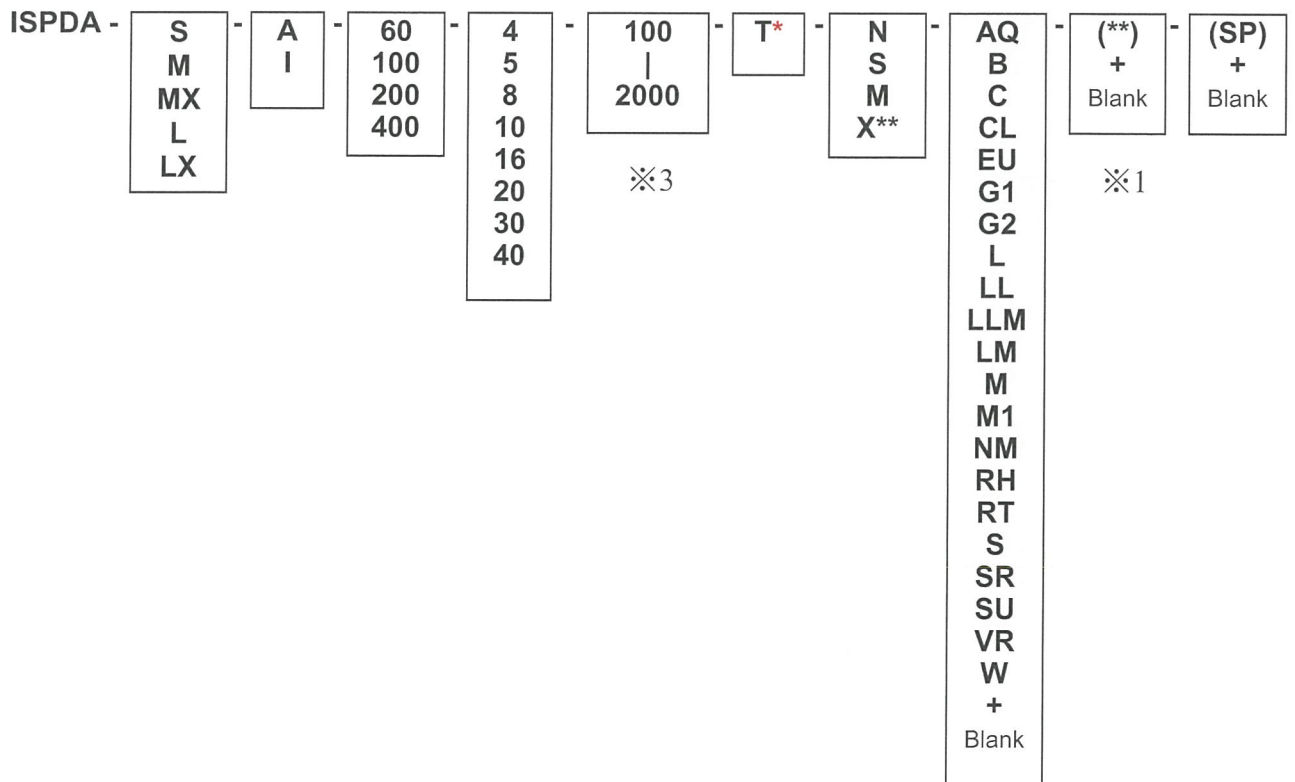
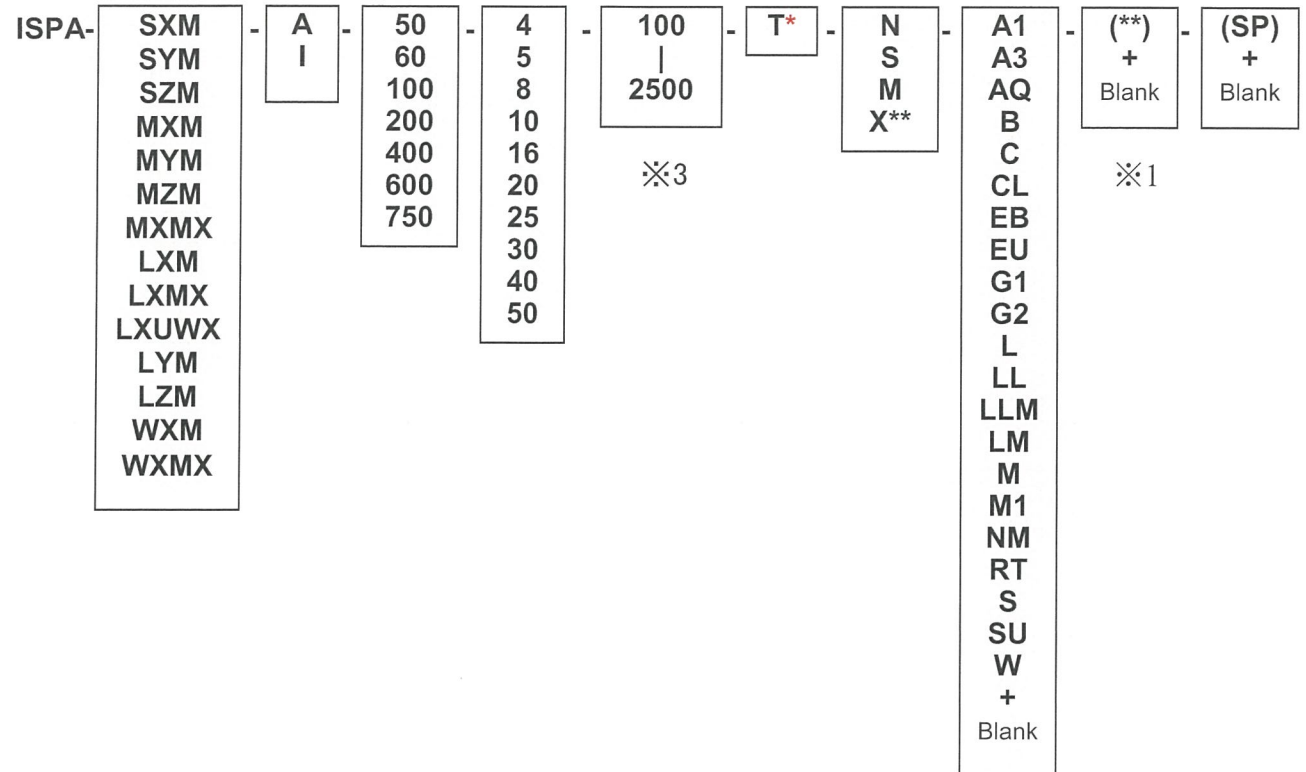
**ORIGINAL**

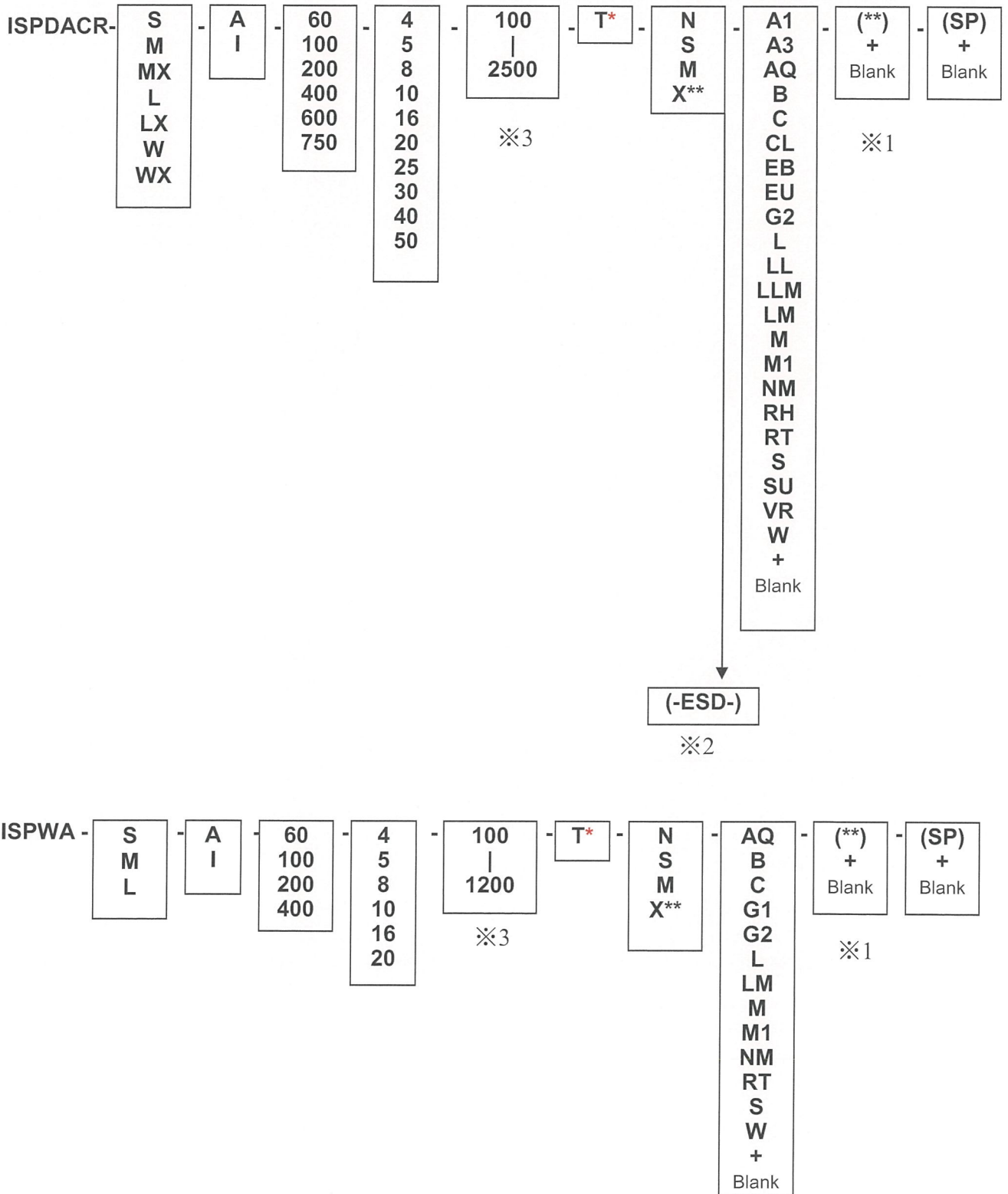
ISA series



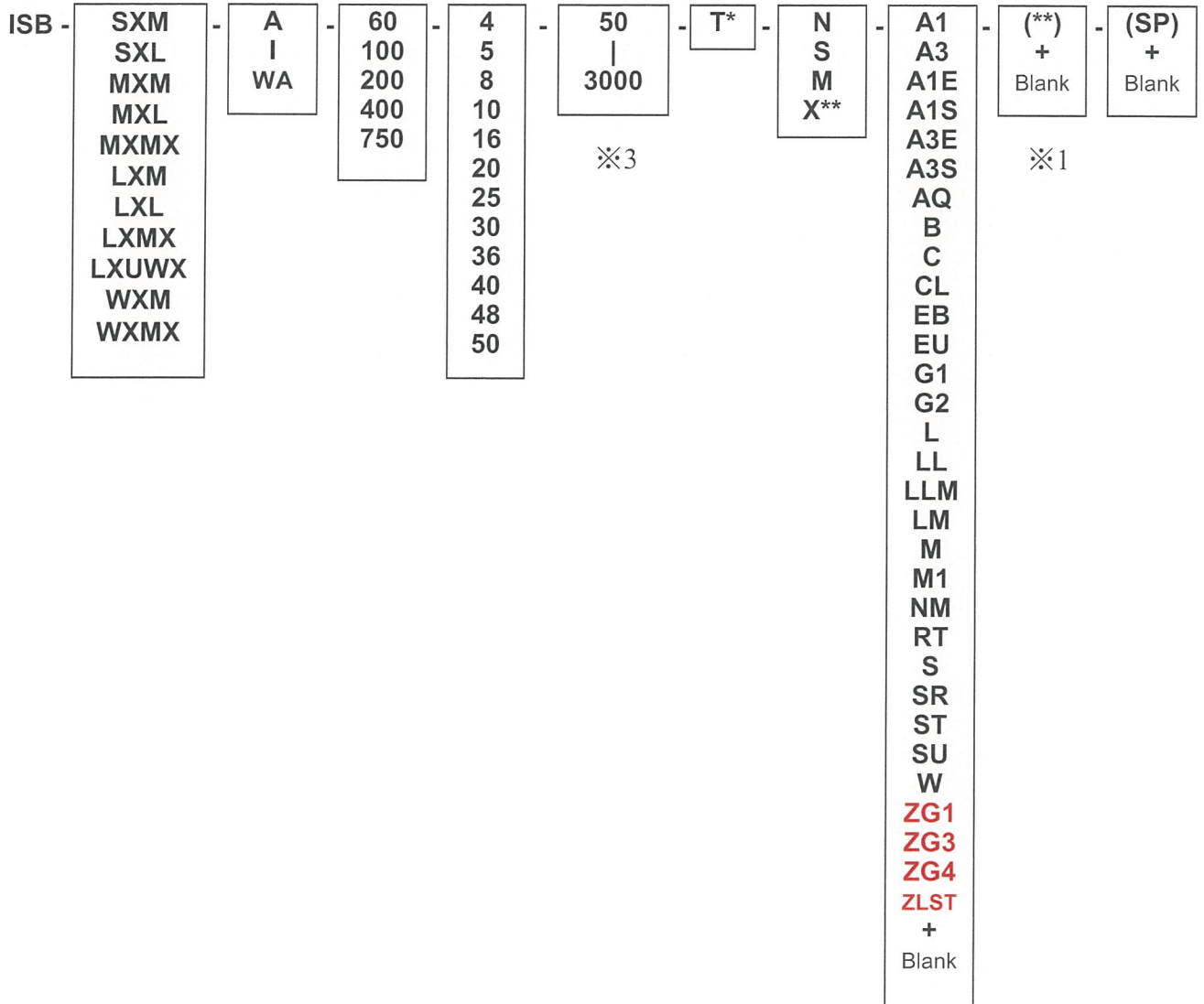


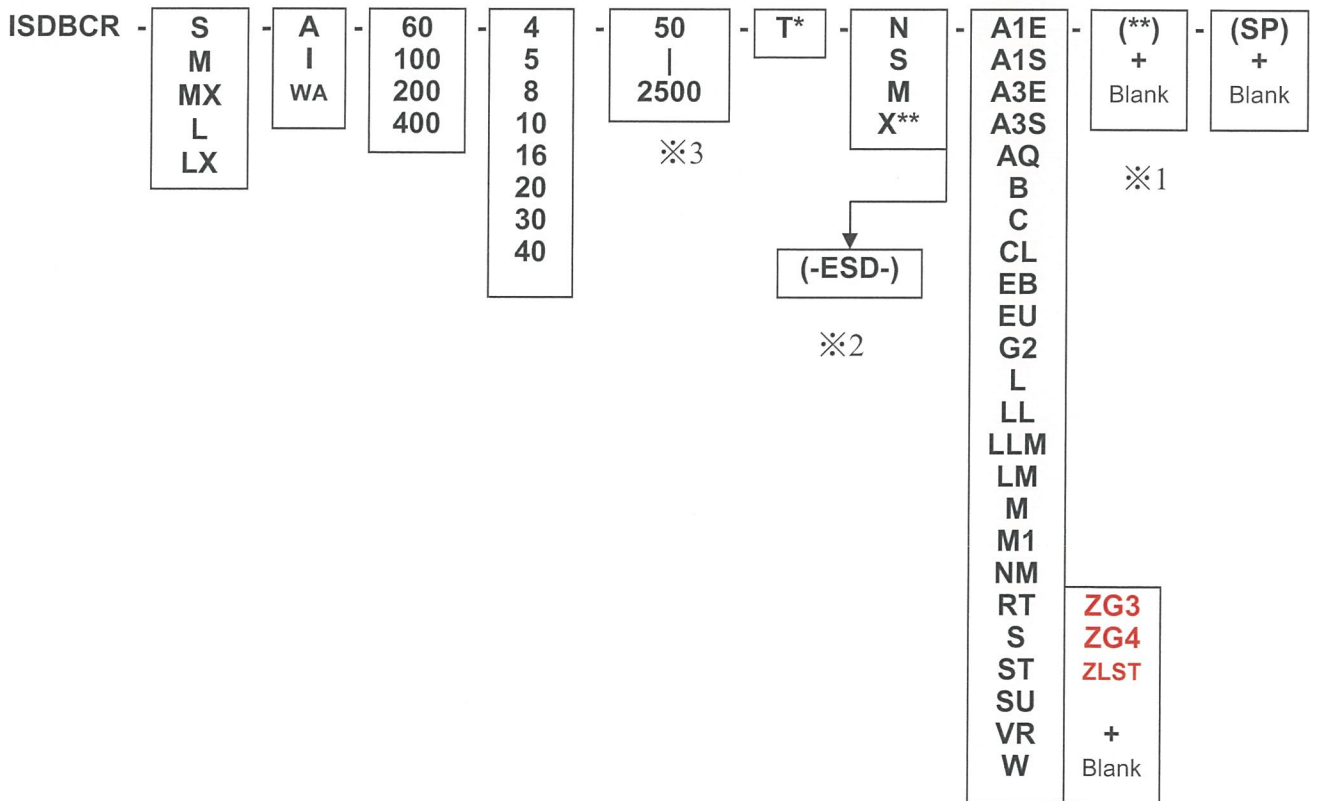
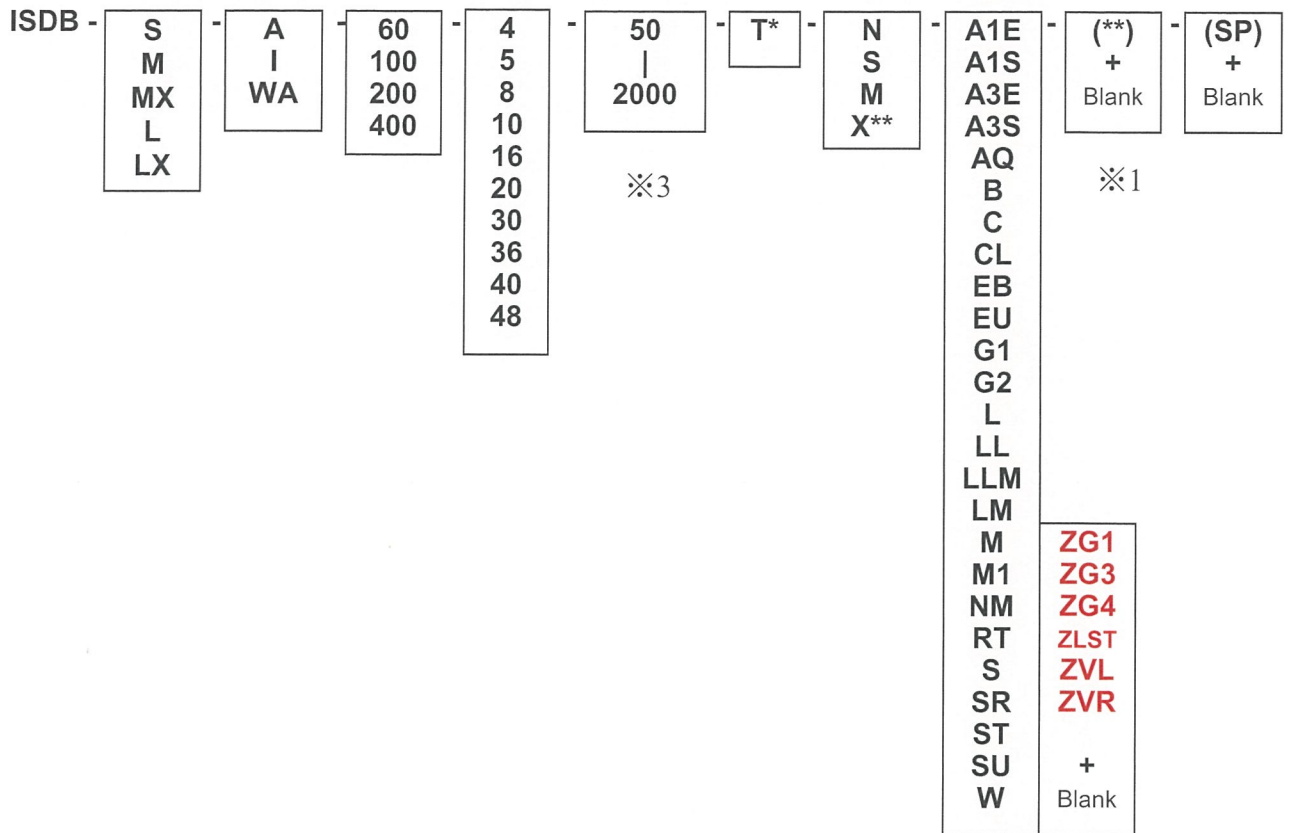
ISPA series



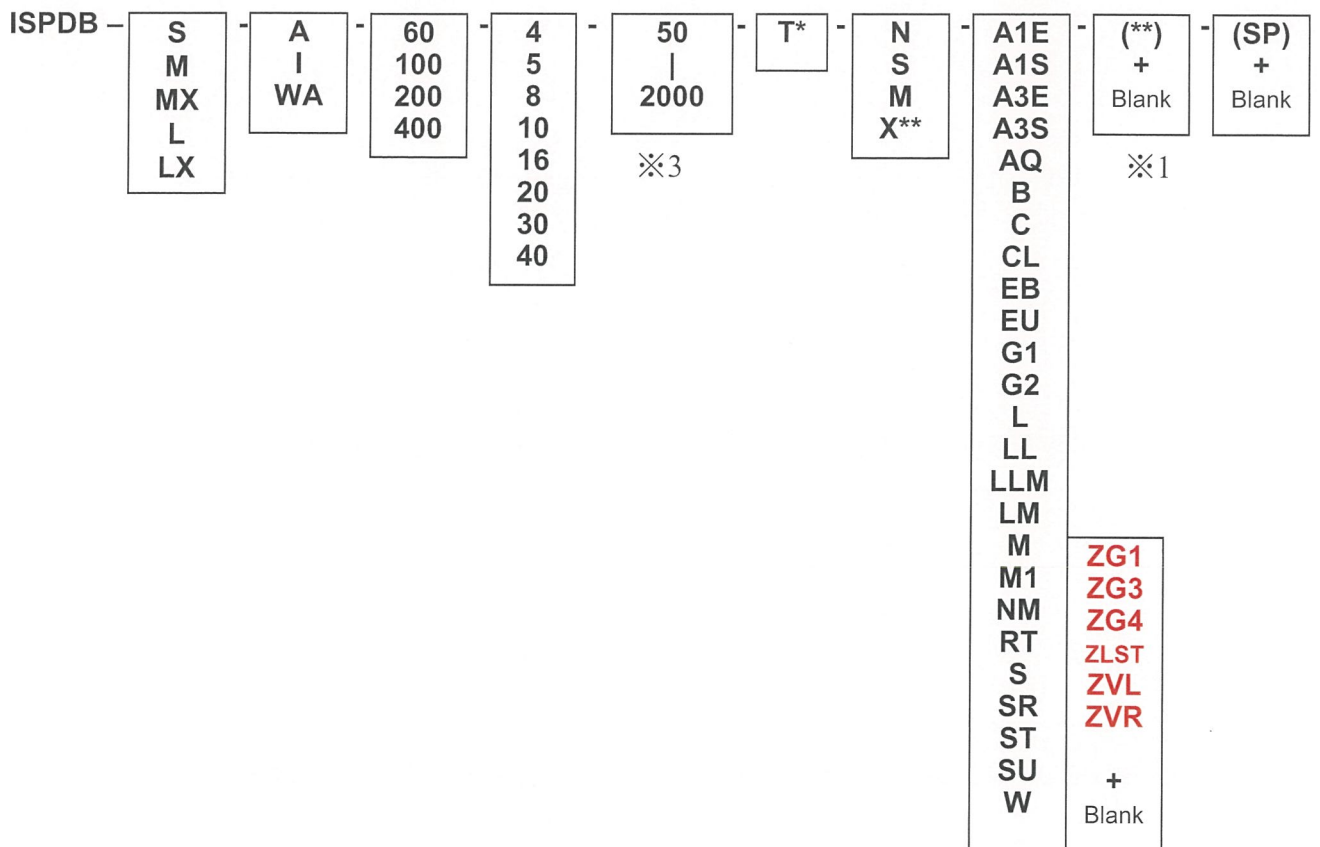
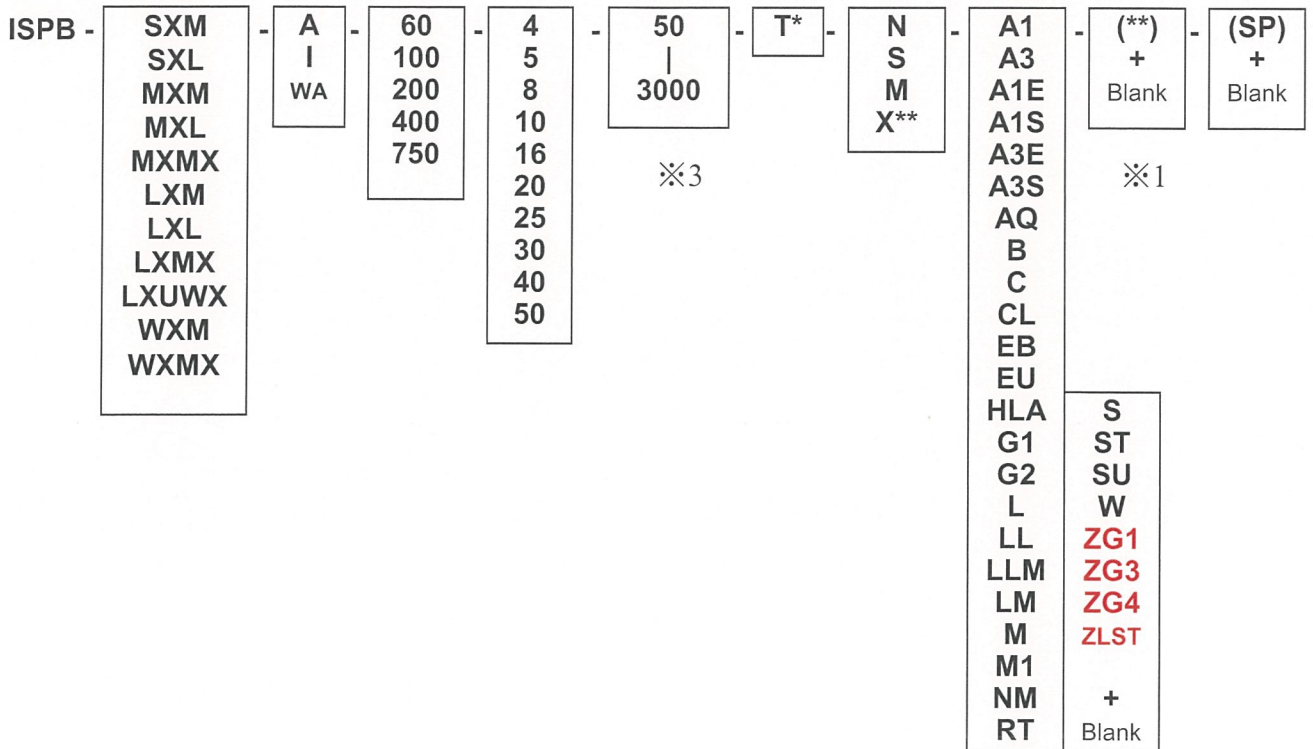


ISB series

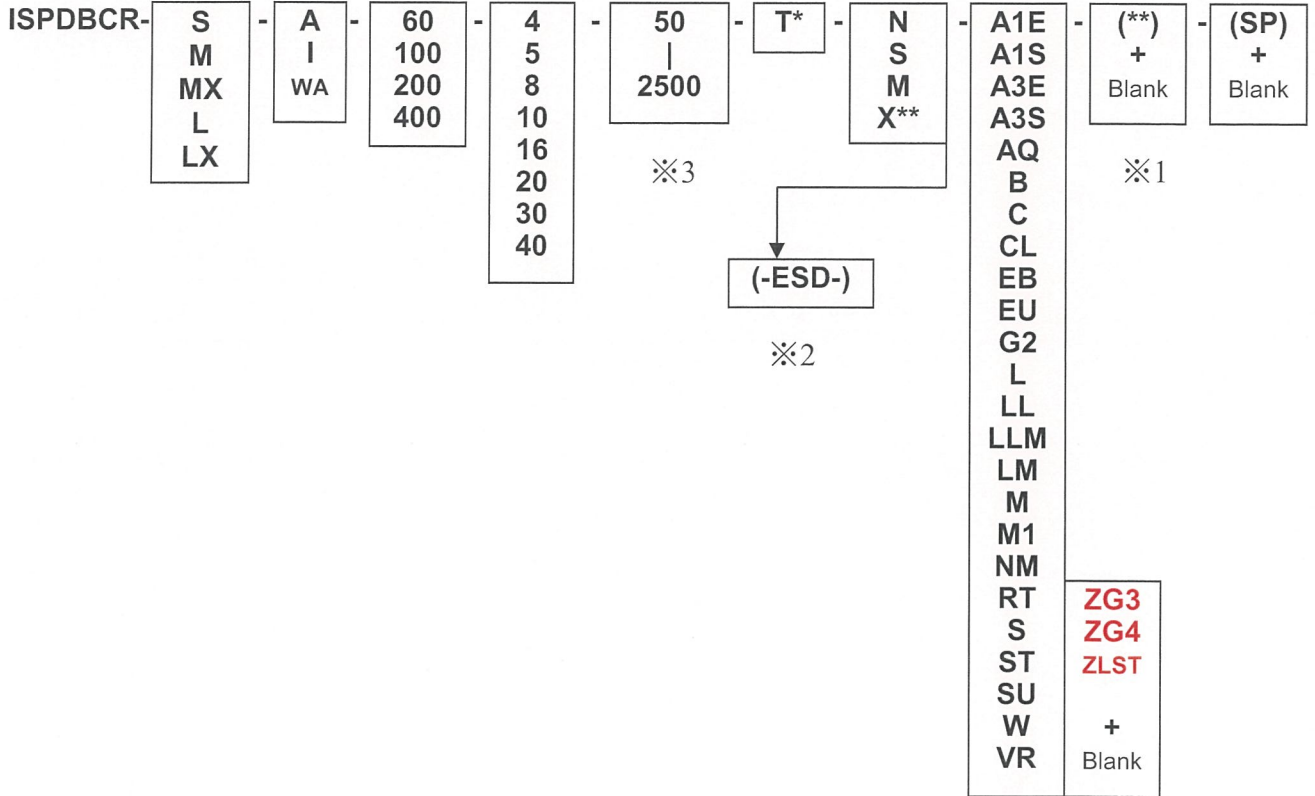




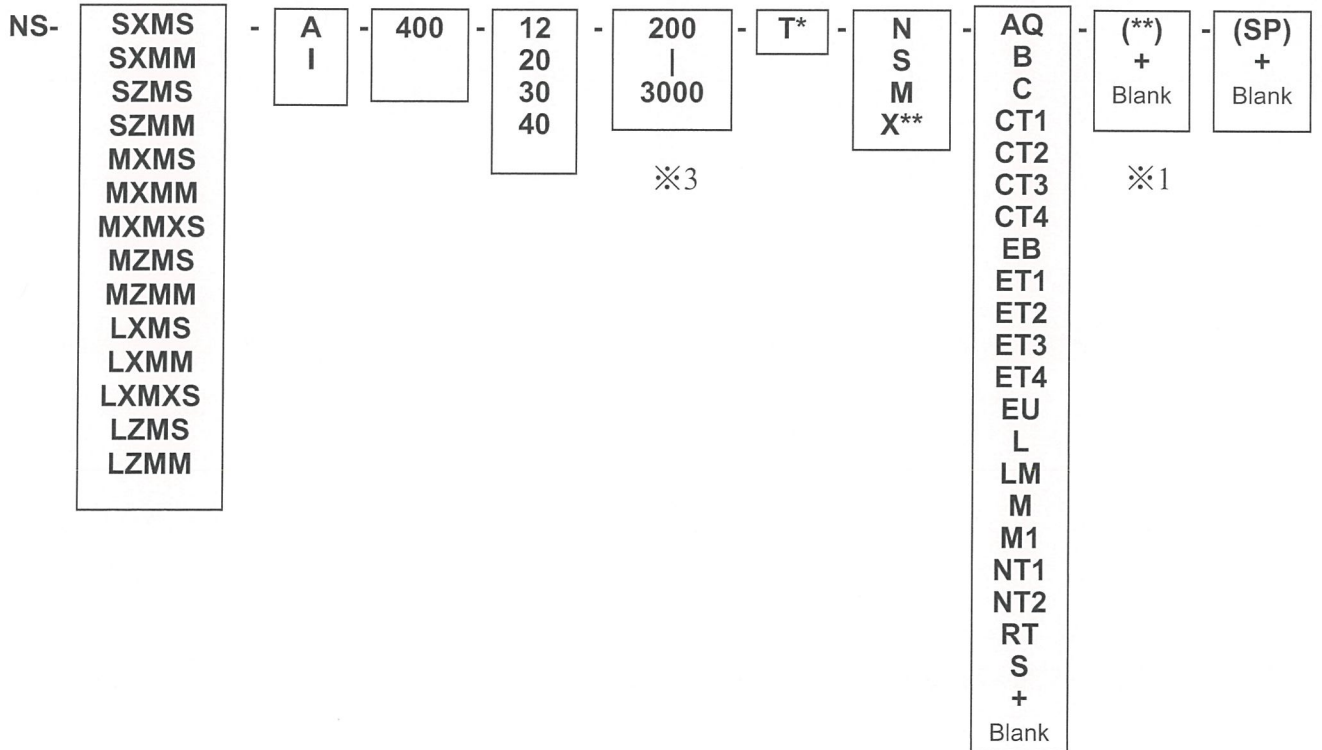
ISPB series



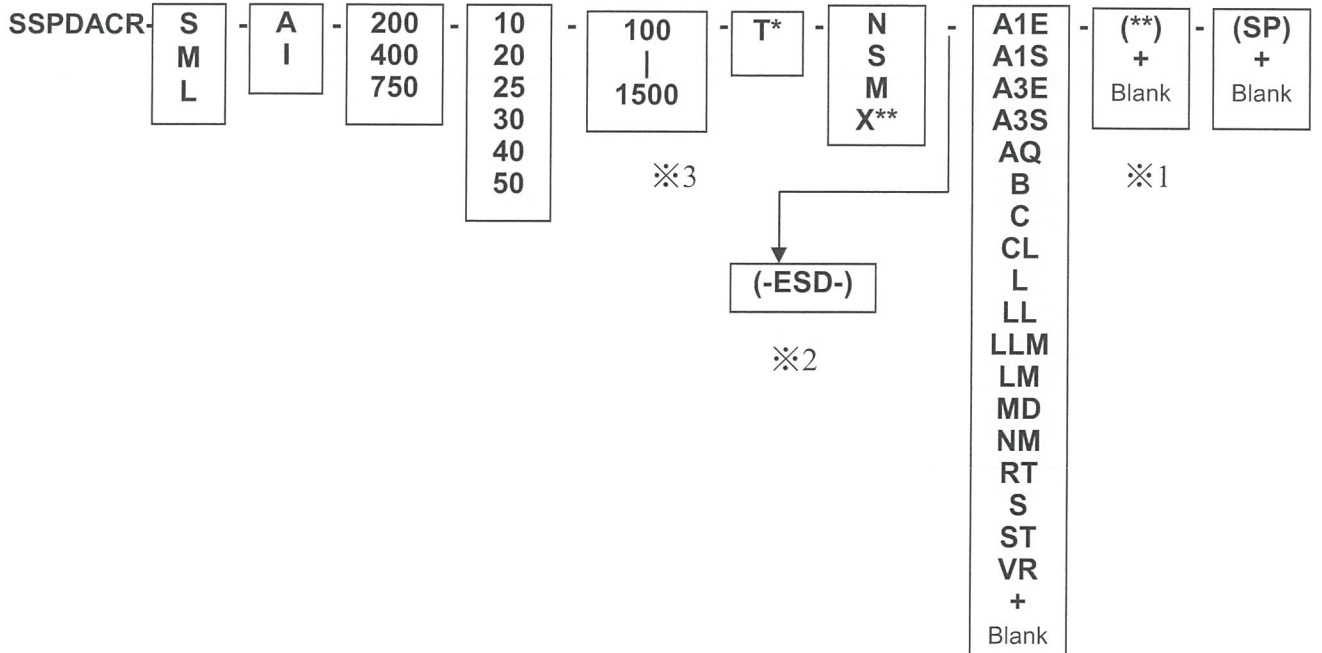
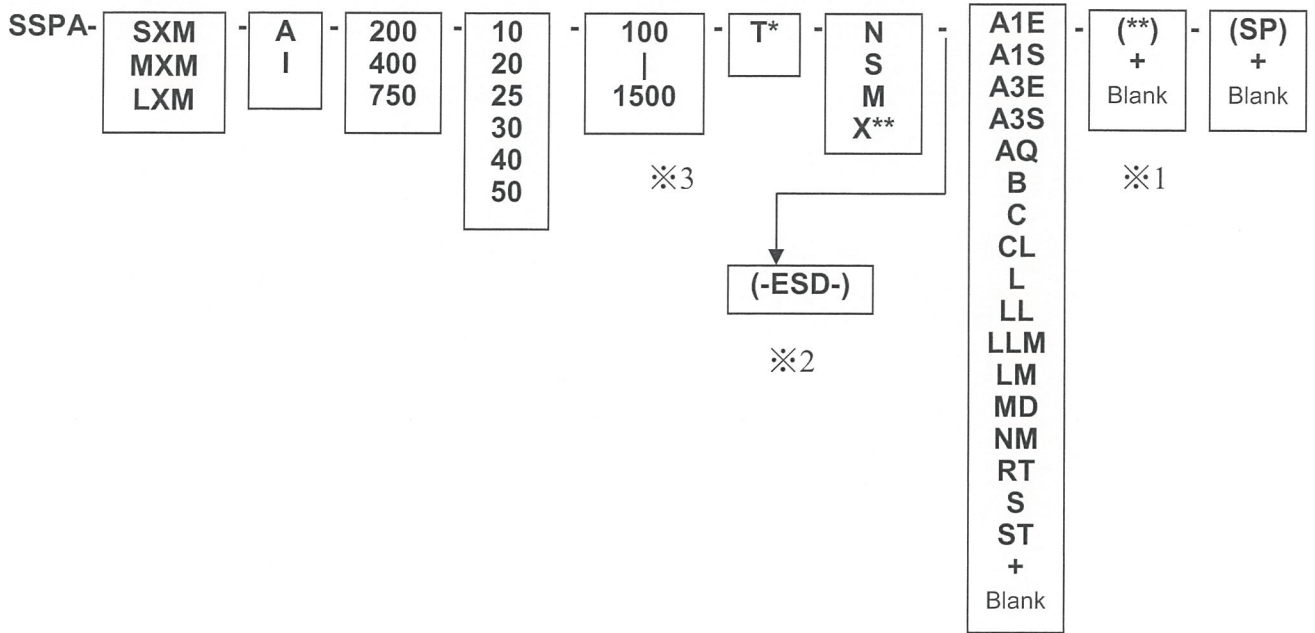




NS series



SSPA Series



RCS2 series

**RCS2 – SA6R - I - 30 - 12 - 200 - T2 – R05 - CE - RH - SP**

**RCS2 – RA4C – I – 50 – 6 – 100 – T2 – R05 – HA – SP**

**RCS2 – RA5C – I – 100 – 8 – 100 – T2 – R05 – B – HA – SP**

**+ : Others may exist**

**※1 : Specified user's (Construction is the same as standard model without this item) discrimination code which may be set not only this position but in the option column or before the option column.**

**※2 : Anti-electrostatic type only set at the clean room (--CR) actuator.**

**※3 : The stroke may extend more than this range according to special user's request.**