

EU DECLARATION OF CONFORMITY

Manufacturer:

IAI CORPORATION
1210, Ihara-cho, Shimizu-ku, Shizuoka-City, Shizuoka, 424-0114 Japan

Authorized representative within the Community:

IAI Industrieroboter GmbH
Ober der Röth 4, D-65824 Schwalbach am Taunus, Germany

Hereby declares that the equipment described below:

Equipment:

ROBO Cylinder
(RCP2, RCP3 and RCP4 series)

Models covered are shown in the next page

Complies with the essential requirements of the EMC Directive 2014/30/EU, based on the following specifications applied:

EN 55011 :2016/A1 :2017/A11 :2020, EN 61000-6-2 :2005/AC :2005.
EN 61800-3 :2004/A1 :2012

And also complies with the provisions of the RoHS Directive 2011/65/EU+(EU)2015/863, based on the following specifications applied:

EN IEC 63000 :2018



Done at Shizuoka, Japan,

On 8, Aug., 2024

A handwritten signature in black ink, appearing to read 'Toru Ishida', written over a horizontal line.

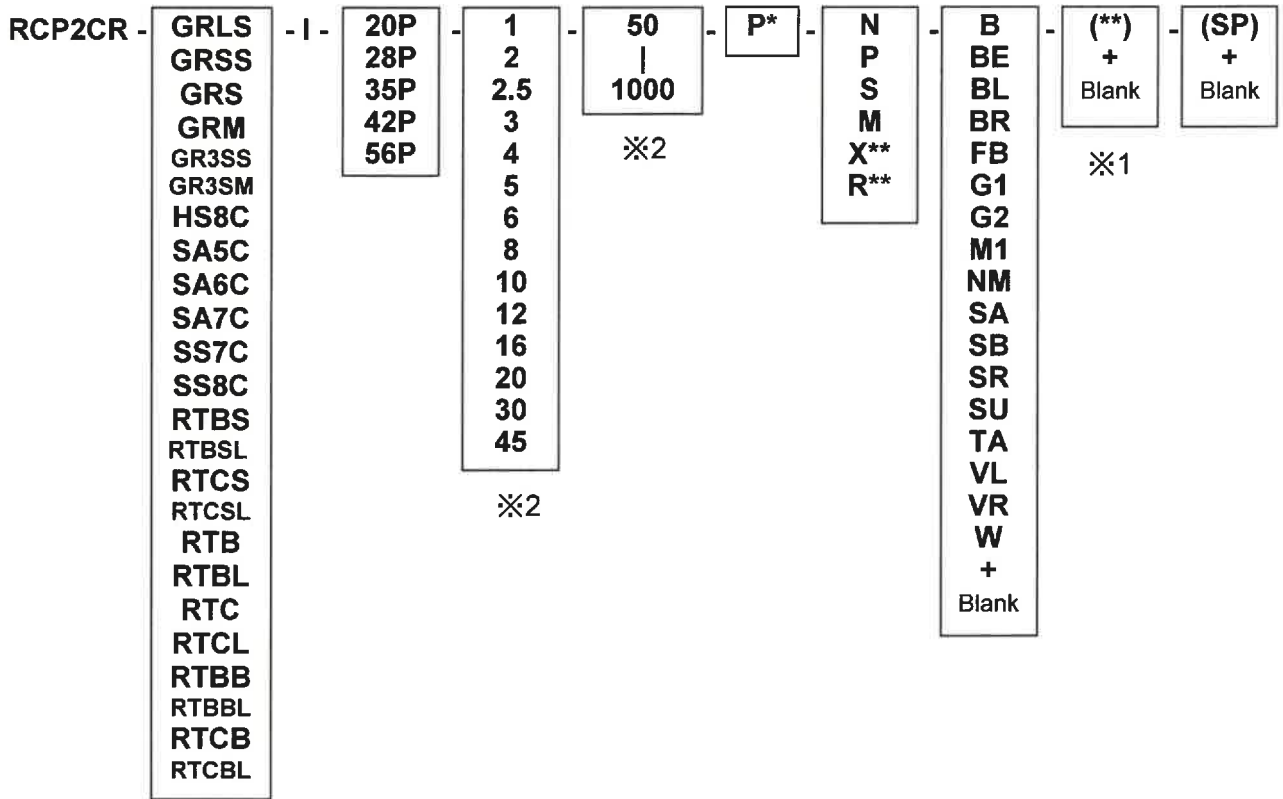
President Toru Ishida

ORIGINAL

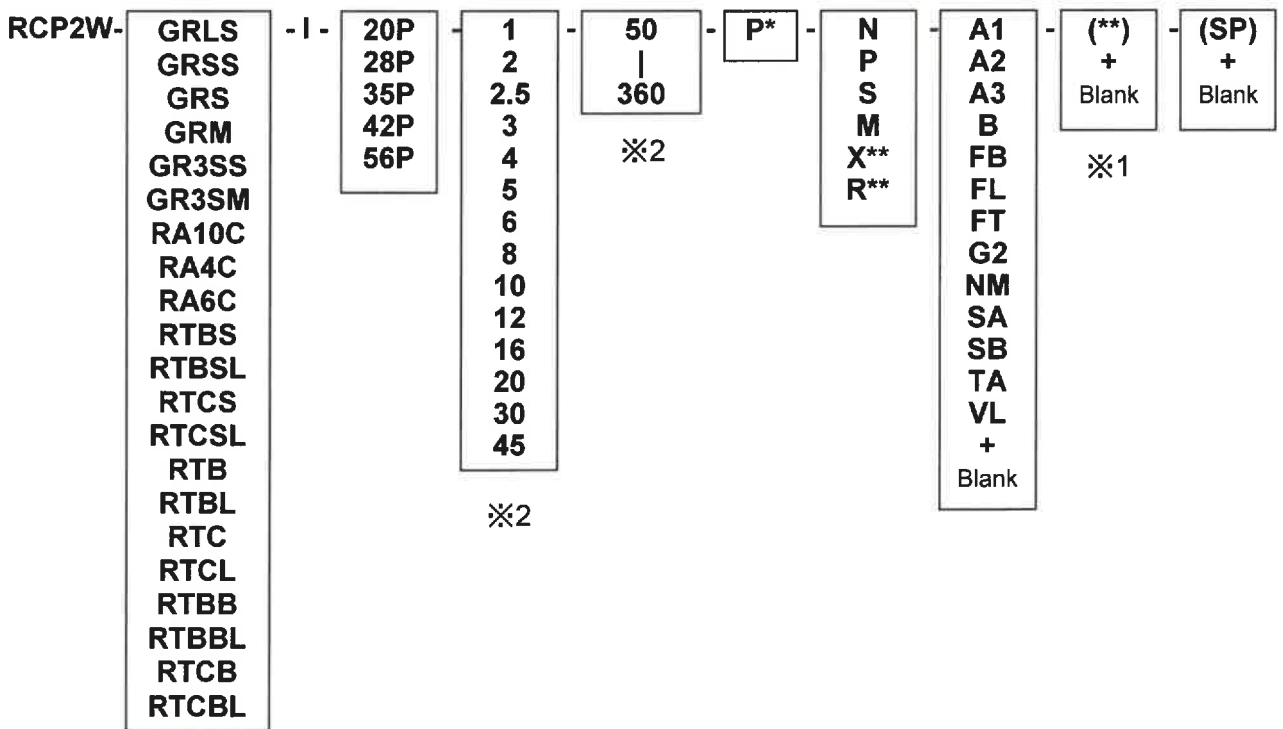
RCP2 series

RCP2-	SA5C SA5R SA6C SA6R SA7C SA7R SS7C SS7R SS8C SS8R HS8C HS8R RA2C RA3C RGD3C RA4C RGS4C RGD4C SRA4R SRGS4R SRGD4R RA6C RGS6C RGD6C RA10C GR3SM GR3SS GR3LM GR3LS GRHM GRHB GRST GRM GRS GRLS GRSS RTBS RTBSL RTCS RTCSL RTB RTBL RTC RTCL RTBB RTBBL RTCB RTCBL	- I -	20P 28P 35P 42P 56P 60P 86P	1 2 2.5 3 4 5 6 8 10 12 16 20 30 45	8 1000 ※2	P*	N P S M X** R**	A0 A1 A2 A3 AC1 B BE BL BR CJB CJL CJR CJT FB FL FLR FT FT2 FT4 G1 G2 GS2 GS3 GS4 M1 ML ML1 ML3 MR MR1 MR2 MT1 MT2 MT3 NM R SA SB SR SU TA VR W + Blank	(**) + Blank ※1	(SP) + Blank	
				※2							
			RA8C RA8R RA3R RA4R RA6R								

RCP2CR series



RCP2W series

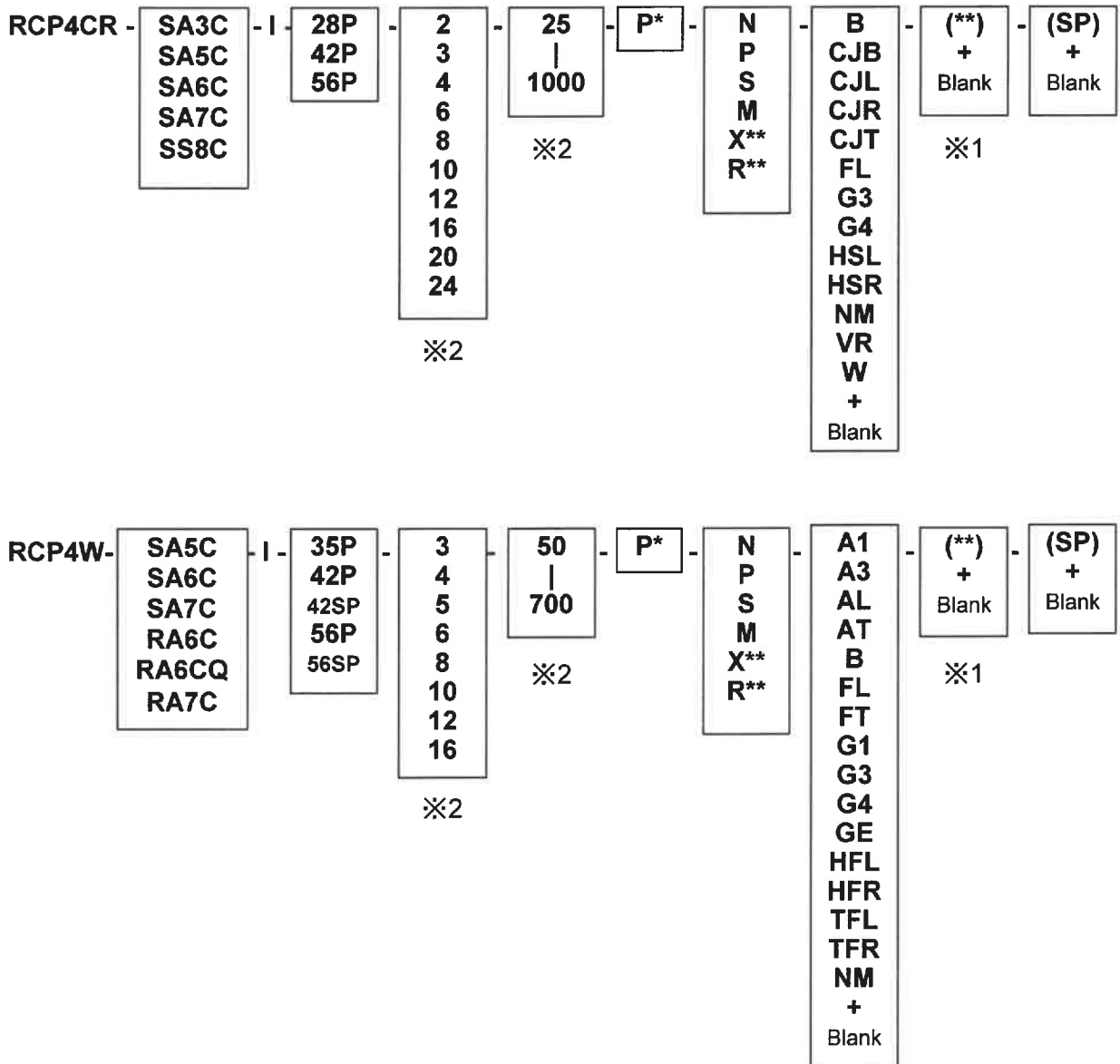


RCP3 series

RCP3 -	SA2AC SA2BC SA3C SA2AR SA2BR SA3R SA4C SA4R SA4R SA5C SA5R SA6C SA6R RA2AC RA2BC RA2AR RA2BR TA3C TA3R TA4C TA4R TA5C TA5R TA6C TA6R TA7C TA7R	- I -	20P 20SP 28P 35P 42P	-	1 2 2.5 3 4 5 6 8 10 12 16 20 1S 2S 4S 6S	-	20 800	-	P*	-	N P S M X** R**	-	B CJB CJL CJO CJR CJT G1 G2 G4 ML MR NCO NM SU + Blank	-	(**) + Blank	-	(SP) + Blank	
						※2									※1			
						※2												

RCP4 series

RCP4-	SA3C	-	I	20SP	-	1	-	14	-	P*	-	N	-	A0	-	(**)	-	(SP)
	SA3R			28P		2		1000				P		A1		+		+
	SA5C			35P		2.5		※2				S		AC1		Blank		Blank
	SA5R			42P		3						M		AHT		※1		
	SA6C			42SP		4						X**		B				
	SA6R			56P		5						R**		CJB				
	SA7C			56SP		6								CJL				
	SA7R					8								CJO				
	SS8C					10								CJR				
	SS8R					12								CJT				
	RA3C					16								CO				
	RA3R					20								DCB				
	RA5C					24								DCL				
	RA5R					30								DCR				
	RA6C					N								DCT				
	RA6CQ					※2								FL				
	RGD6CQ													G1				
	RGS6CQ													G2				
	RA6R													G4				
	GRSML													HS				
	GRSLL													HSL				
	GRSWL													HSR				
	GRST													ML				
	GRLM													MR				
	GRLW													NM				
	ST4525E													RP				
	ST68E													SC				
	ST615E													SR				
						W												
						+												
						Blank												



※1 : The case of special requirement order may indicate, to fitted acceptance condition.
 ※2 : The case of special requirement order may add the range, to fitted acceptance condition.