

EU DECLARATION OF CONFORMITY

Manufacturer:

IAI CORPORATION
1210, Ihara-cho, Shimizu-ku, Shizuoka-City, Shizuoka, 424-0114 Japan

Authorized representative within the Community:

IAI Industrieroboter GmbH
Ober der Röth 4, D-65824 Schwalbach am Taunus, Germany

Hereby declares that the equipment described below:

Equipment:

ROBO Cylinder
(RCP6 series)

Models covered are shown after the following page

Complies with the essential requirements of the EMC Directive 2014/30/EU, based on the following specifications applied:

EN 55011 :2016/A1 :2017/A11 :2020, EN 61000-6-2 :2005/AC :2005
EN 61800-3 :2004/A1 :2012

And also complies with the provisions of the RoHS Directive 2011/65/EU+(EU)2015/863, based on the following specifications applied :

EN IEC 63000 :2018

Done at Shizuoka, Japan,



On 17 , Jan. , 2025

A handwritten signature in black ink, appearing to read 'Toru Ishida', is written over a horizontal line.

President Toru Ishida

ORIGINAL

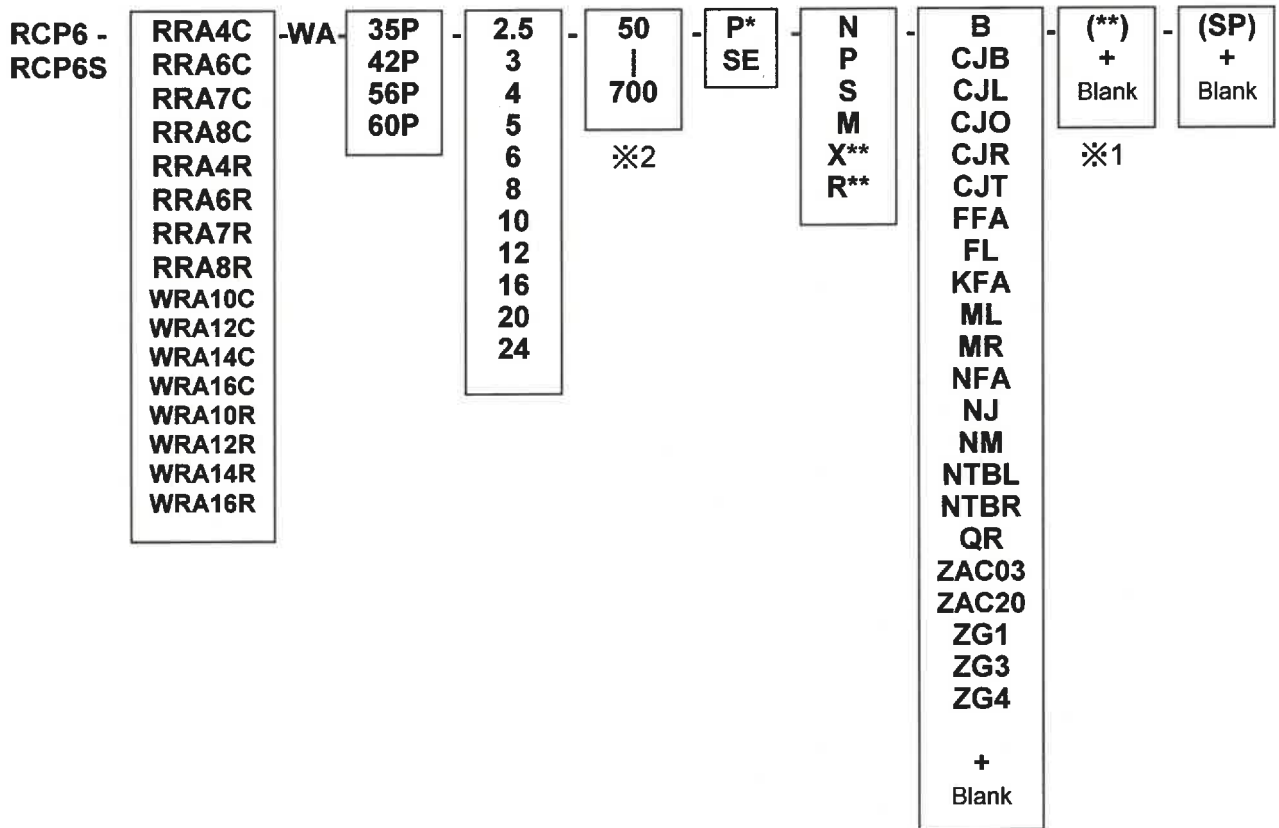
RCP6(S) series Slider / Wide Slider Type
RCP6(S)CR series Cleanroom Slider / Wide Slider Type

| | | | | | | | | | | |
|--------------------------------------|--|------|---------------------------|--|---------------------------|----------|--------------------------------|---|------------------------------|--------------------|
| RCP6 - RCP6S RCP6CR RCP6SCR | SA4C SA6C SA7C SA8C SA4R SA6R SA7R SA8R WSA10C WSA12C WSA14C WSA14LC WSA16C WSA10R WSA12LR WSA12R WSA14R WSA16R | -WA- | 35P 42P 56P 56SP | 2.5 3 4 5 6 8 10 12 16 20 24 30 | 50 1100 ※2 | P* SE | N P S M X** R** | B CJB CJL CJO CJR CJT G1 G3 G4 HPR ML MR MT NM SR SS VR W ZAC03 ZAC20 ZG1 ZG3 ZG4 ZLST ZVL ZVR + Blank | (**) + Blank ※1 | (SP) + Blank |
|--------------------------------------|--|------|---------------------------|--|---------------------------|----------|--------------------------------|---|------------------------------|--------------------|

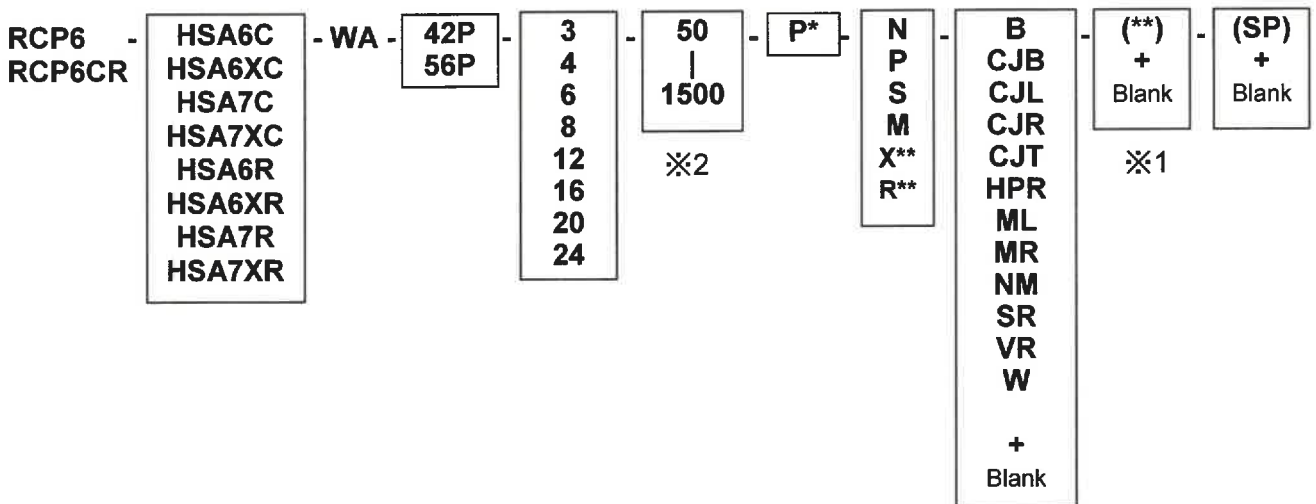
RCP6(S) series Rod / Table Type

| | | | | | | | | | | |
|-----------------|--|------|--------------------------|--|--------------------------|----------|--------------------------------|---|------------------------------|--------------------|
| RCP6 - RCP6S | RA4C RA6C RA7C RA8C RA4R RA6R RA7R RA8R TA4C TA6C TA7C TA4R TA6R TA7R | -WA- | 35P 42P 56P 60P | 2.5 3 4 5 6 8 10 12 16 20 24 | 25 390 ※2 | P* SE | N P S M X** R** | B CJB CJL CJO CJR CJT DB FL FT ML MR MT NFA NM NTB ZAC03 ZAC20 ZG1 ZG3 ZG4 + Blank | (**) + Blank ※1 | (SP) + Blank |
|-----------------|--|------|--------------------------|--|--------------------------|----------|--------------------------------|---|------------------------------|--------------------|

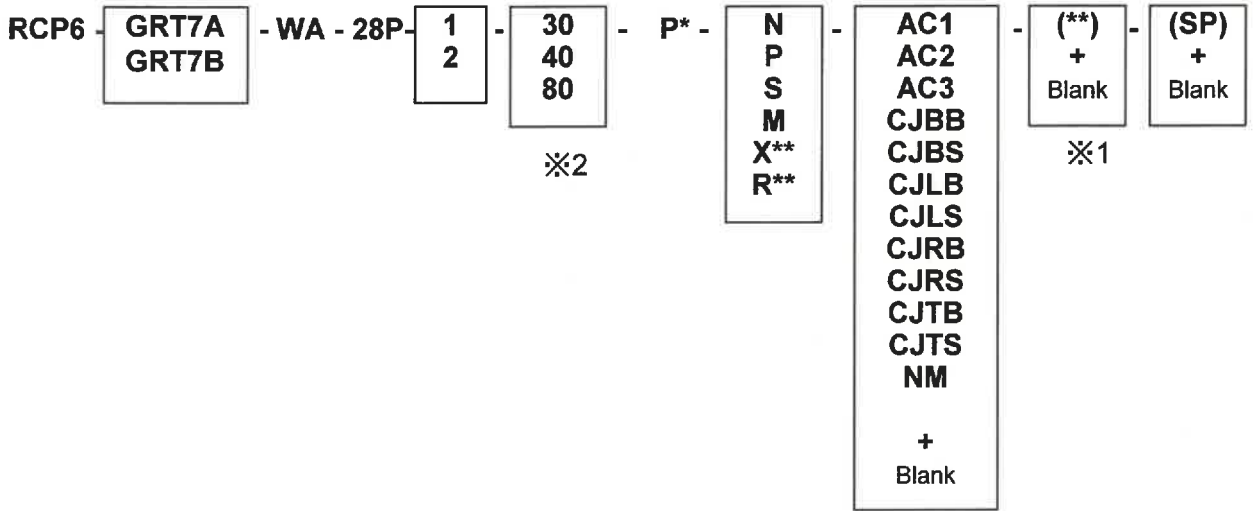
RCP6(S) series Radial Cylinder / Wide Radial Cylinder Type



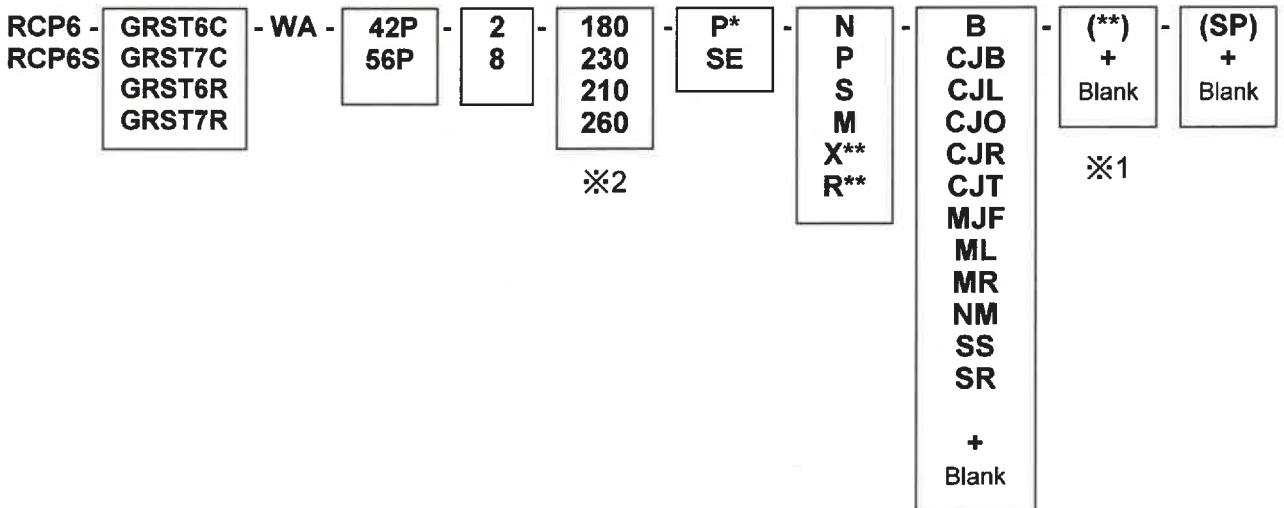
**RCP6 series High Rigidity Slider Type
RCP6CR series Cleanroom High Rigidity Slider Type**



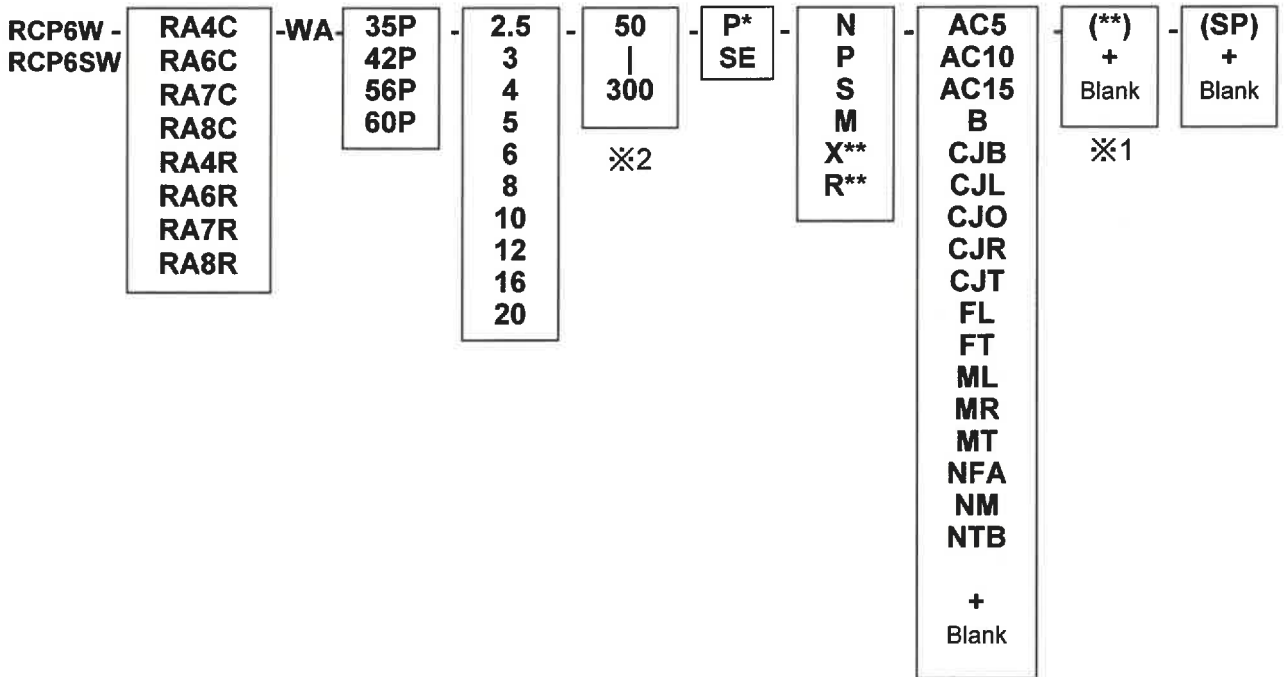
RCP6 series Thinner Gripper Type



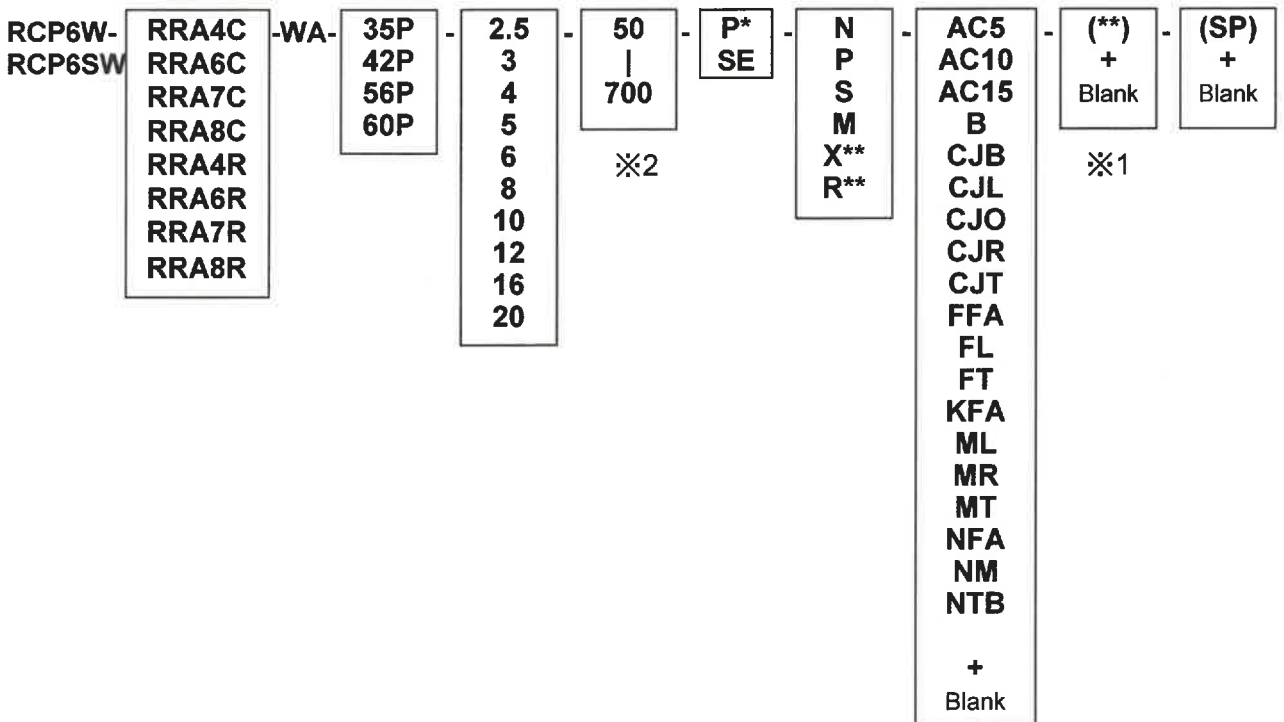
RCP6 series Long Stroke Gripper Type



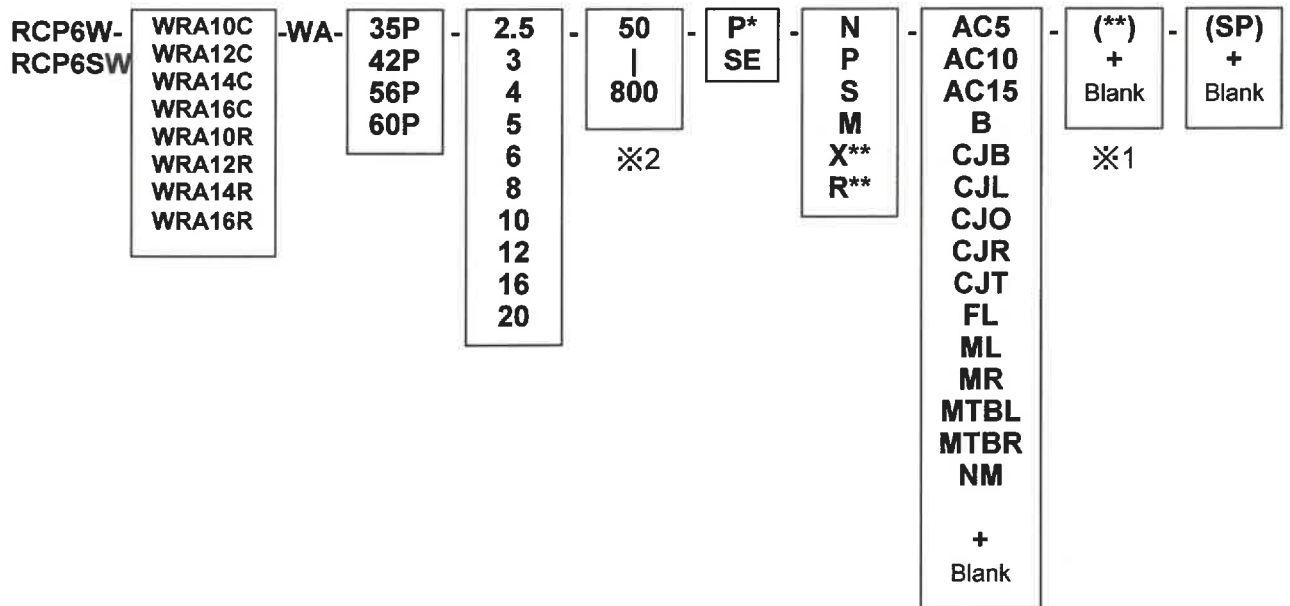
RCP6(S)W series Dust / Splash-Proof Rod Type



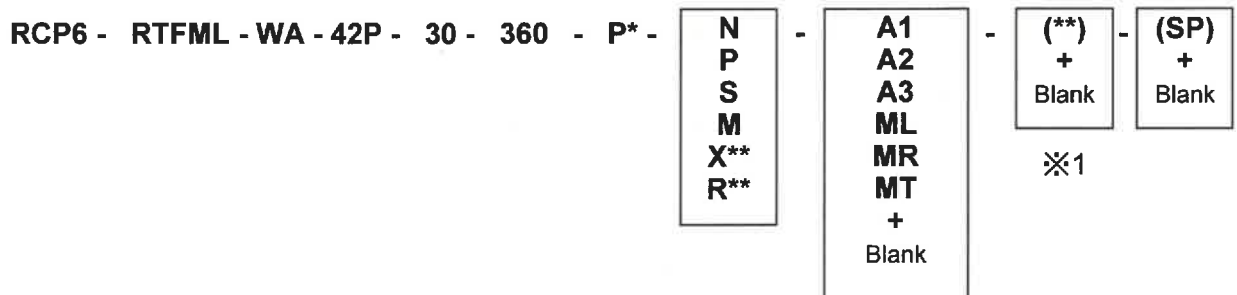
RCP6(S)W series Dust / Splash-Proof Radial Cylinder Type



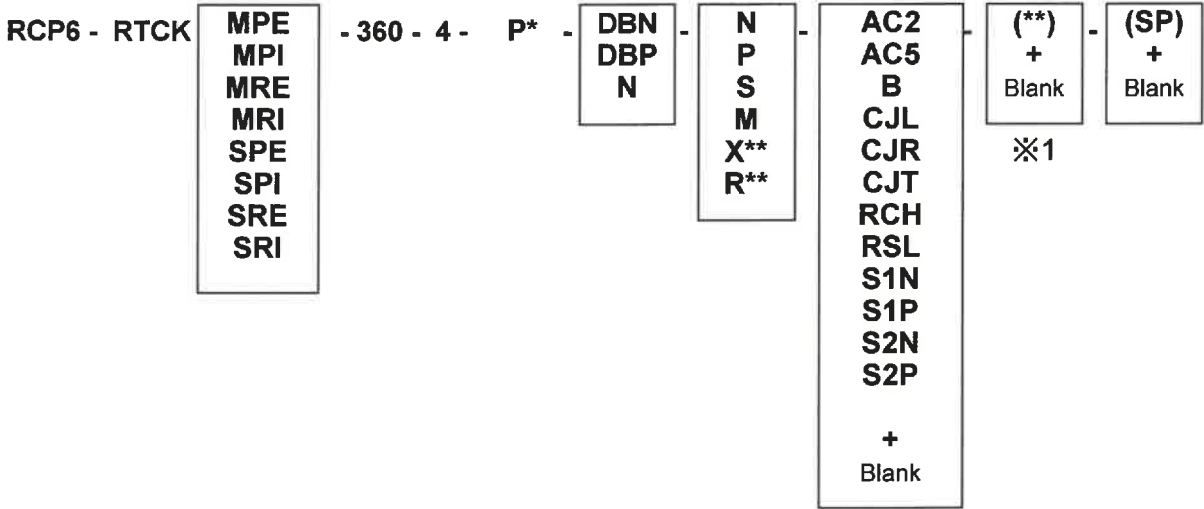
RCP6(S)W series Dust / Splash-Proof Wide Radial Cylinder Type



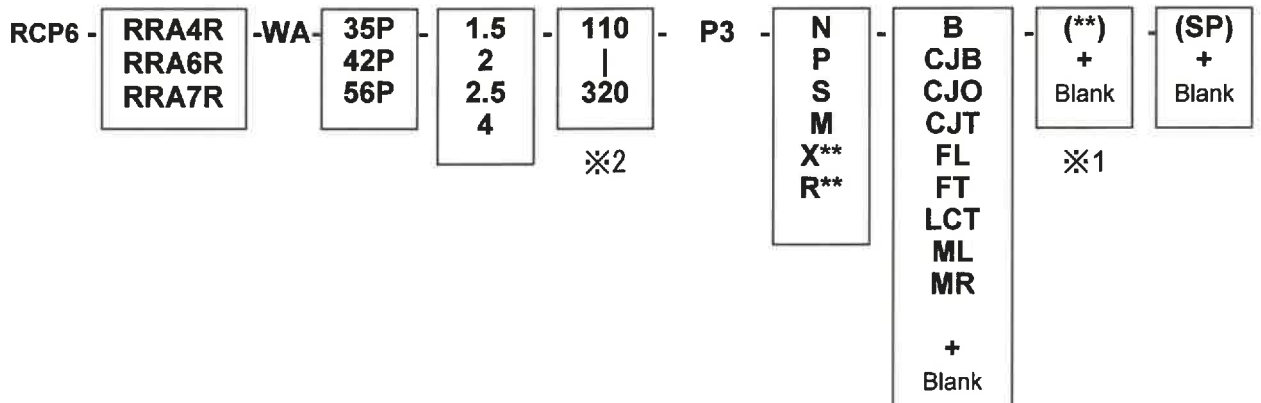
RCP6 series Large diameter Hollow Rotary Type



RCP6 series Rotary Chuck Actuator



RCP6 series Servo Press (Pulse Press) Type



* Need to indicate LCT and either ML or MR

+ : Others may exist

※1 : The case of special requirement order may indicate, to fitted acceptance condition.

※2 : The case of special requirement order may add the range, to fitted acceptance condition.