

## EU DECLARATION OF CONFORMITY

Manufacturer:

**IAI CORPORATION**  
1210, Ihara-cho, Shimizu-ku, Shizuoka-City, Shizuoka, 424-0114 Japan

Authorized representative within the Community:

**IAI Industrieroboter GmbH**  
Ober der Röth 4, D-65824 Schwalbach am Taunus, Germany

Hereby declares that the equipment described below  
complies with the provisions of the below European Directives and the harmonized standards.

New SCARA Robot  
(IXA series)

Models covered are shown in the next page

Upon reasonable request of the national authorities, electronic data of relevant information on partially completed machines may be provided.

And also we request that the partly completed machinery must not be put into service until the final machinery has been declared in conformity with the provisions of Machinery Directive.

- Machinery Directive : 2006/42/EC  
EN ISO 12100 :2010  
EN ISO 10218-1 :2011
- EMC Directive : 2014/30/EU  
EN 55011: 2016/A1 :2017/A11 :2020, EN 61000-6-2 :2005/AC :2005  
EN 61800-3 :2004/A1 :2012
- RoHS Directive : 2011/65/EU+(EU)2015/863  
EN IEC 63000 :2018



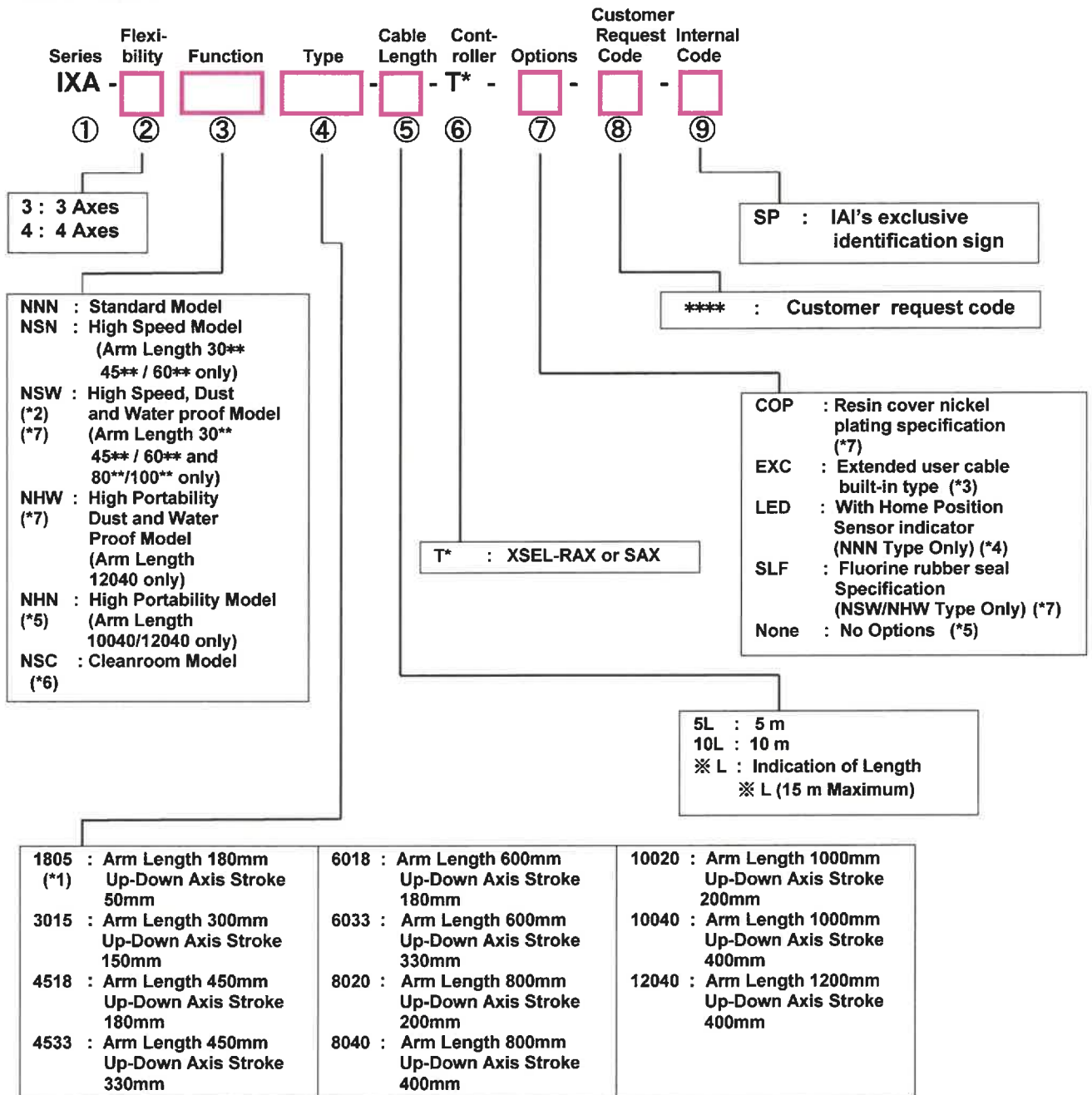
Done at Shizuoka, Japan,

On 8, Aug., 2024

President Toru Ishida

**ORIGINAL**

**IXA Series**



- (\*1) Type "1805" is available only for Function "NNN".
- (\*2) Function "NSW" is available only for Flexibility "4" and Type "3015, 4518, 4533, 6018, 6033".
- (\*3) Only available in IXA-4NNN/NSN-80\*\*/100\*\* model.
- (\*4) Standard specification in IXA-\*NSN\*\*\*\* Type and IXA-4NHN10040/10020 model.
- (\*5) Function "NHN" is available only for Flexibility "4" and Type "10040, 12040" and "SAX" controller.
- (\*6) Function "NSC" is available only for Flexibility "4" and Type "3015, 4518, 4533, 6018, 6033".
- (\*7) Function "NSW" is available only for Flexibility "4" and Type "8020, 8040, 10020, 10040" and Function "NHW" is available only for Flexibility "4" and Type "12040"