

## EU DECLARATION OF CONFORMITY

Manufacturer:

IAI CORPORATION  
1210, Ihara-cho, Shimizu-ku, Shizuoka-City, Shizuoka, 424-0114 Japan

Authorized representative within the Community:

IAI Industrieroboter GmbH  
Ober der Röth 4, D-65824 Schwalbach am Taunus, Germany

Hereby declares that the equipment described below:

Equipment:

ELE Cylinder Digital Spicon Series  
(EC DS series)

Models covered are shown after the following page

Complies with the essential requirements of the EMC Directive 2014/30/EU, based on the following specifications applied:

EN 55011:2016/A1 :2017/A11 :2020,                      EN 61000-6-2 :2005/AC :2005,  
EN 61800-3 :2004/A1 :2012,                                EN ISO 12100 :2010

And also complies with the provisions of the RoHS Directive 2011/65/EU+(EU)2015/863, based on the following specifications applied:

EN IEC 63000 :2018

Done at Shizuoka, Japan,

On 31, Mar., 2025



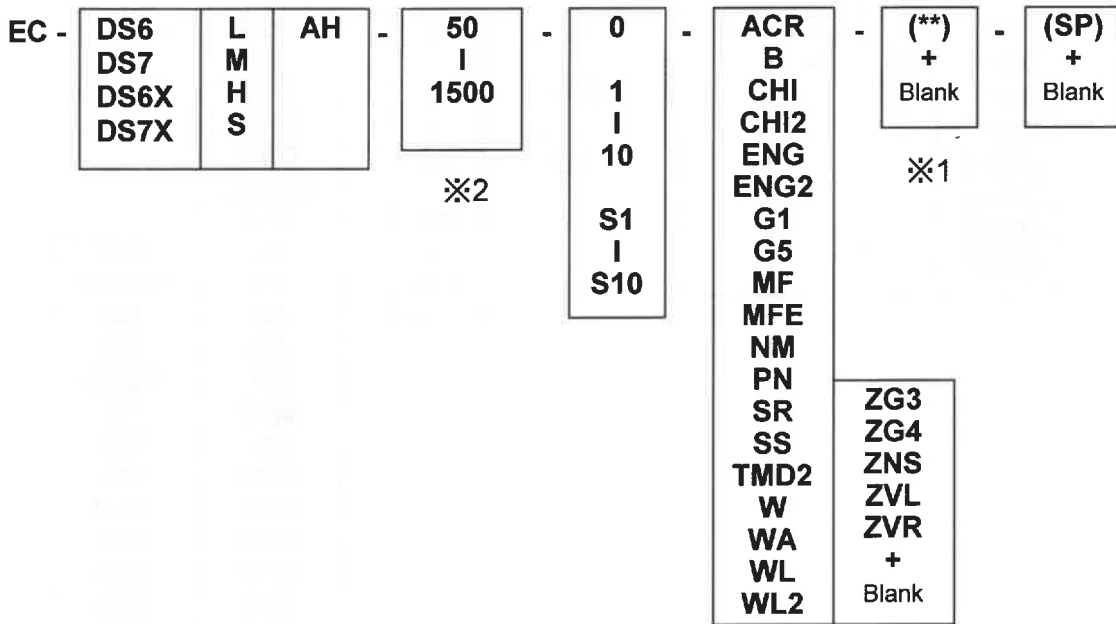
A handwritten signature in black ink, appearing to read 'Toru Ishida', is written over a horizontal line.

President Toru Ishida

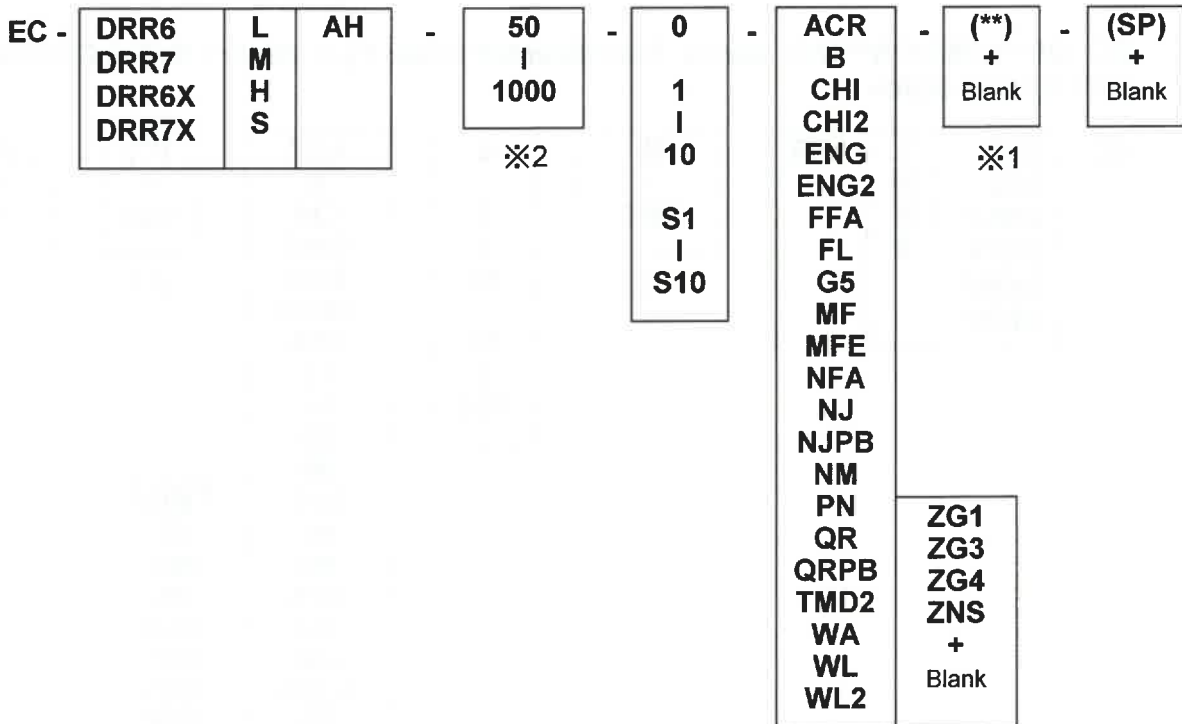
**ORIGINAL**



**EC DS\*\*AH series High Rigidity Slider Type**



**EC DRR\*\*AH series High Rigidity Long Stroke Radial Cylinder**



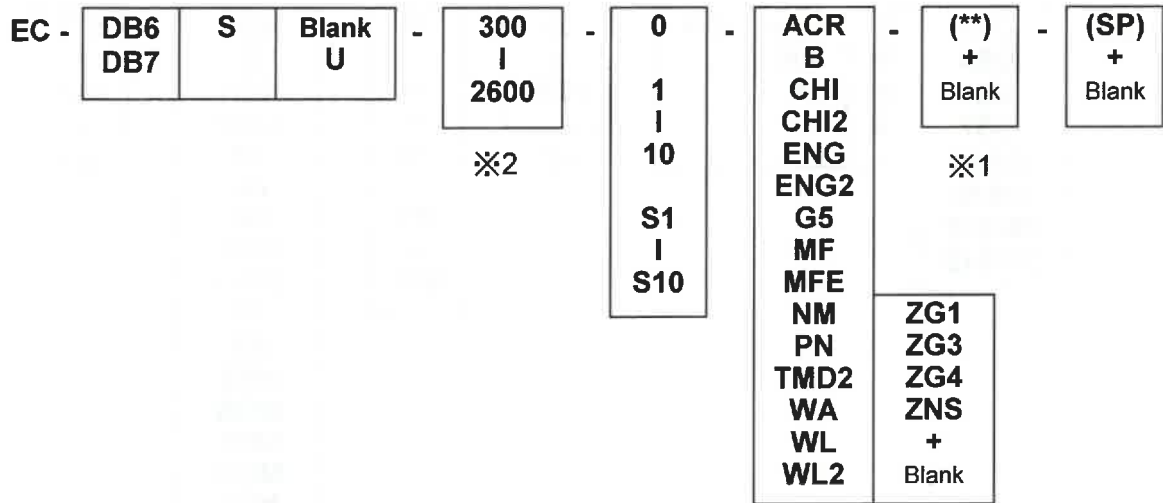
**EC DS\*\*R/DRR\*\*R series Side Mounted Motor Slider / Radial Cylinder with 2 Rows Guide**

EC -	DS3	L M H S	Blank A	R	-	50 I 800	-	0	-	ACR B CHI CHI2 ENG ENG2 FFA FL FT G1 G5 MF MFE ML MOB MOL MOR MOT MR NFA NJ NJPB NM PB PN	-	(**) + Blank	-	(SP) + Blank			
	DS4																
	DS6																
	DS7																
	DRR3														※2	1 I 10	※1
	DRR4															S1 I S10	QR QRPB SR SS TMD2 W WA WL WL2 ZG1 ZG3 ZG4 ZNS ZVL ZVR + Blank
	DRR6																
	DRR7																

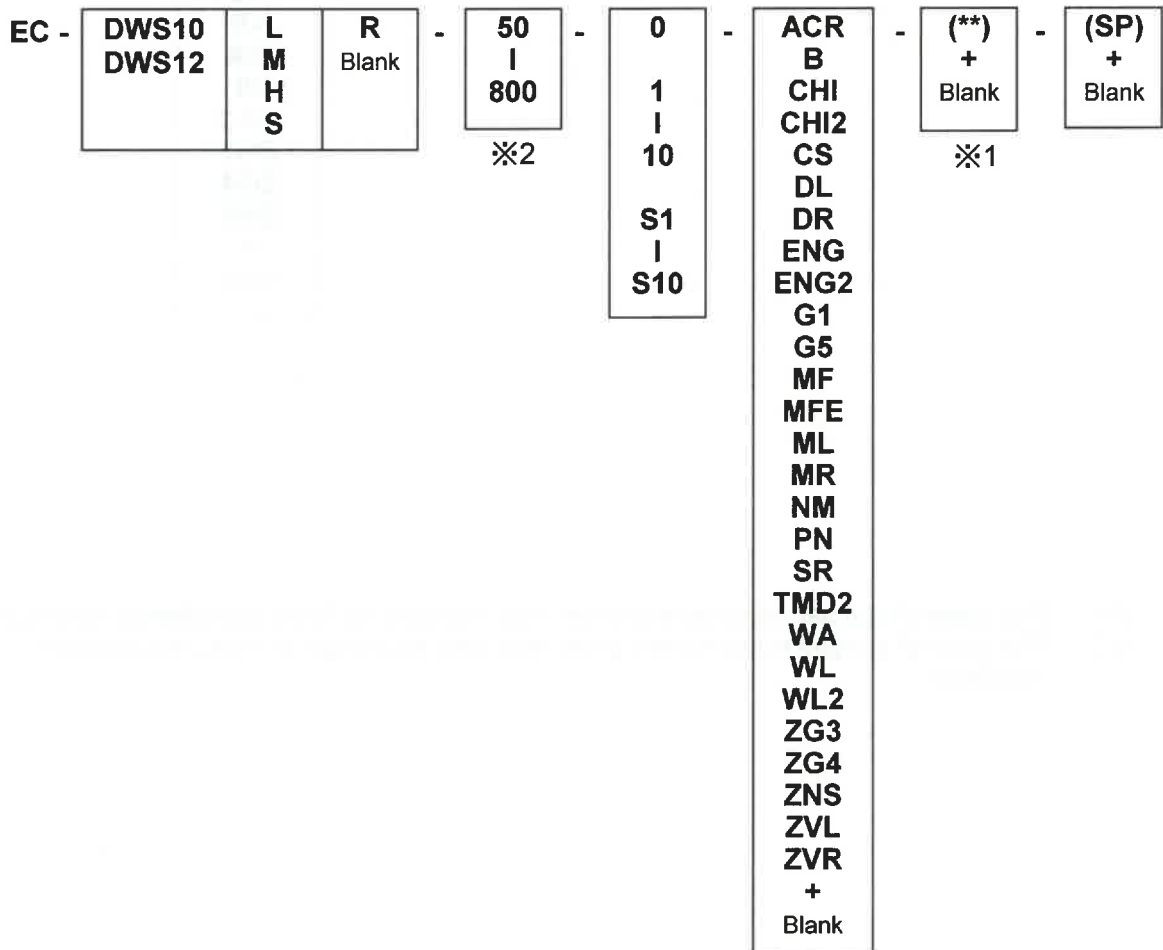
**EC DS\*\*AHR/DRR\*\*AHR series Side Mounted Motor Type Slider / Radial Cylinder with 4 Rows Guide**

EC -	DS6	L M H S	AHR	-	50 I 1500	-	0	-	ACR B CHI CHI2 ENG ENG2 FFA FL FT G5 MF MFE ML MR NFA NJ NM NJPB PB PN QR QRPB SR SS	-	(**) + Blank	-	(SP) + Blank			
	DS7															
	DS6X															
	DS7X															
	DRR6													※2	1 I 10	※1
	DRR7														S1 I S10	TMD2 W WA WL WL2 ZG1 ZG3 ZG4 ZNS ZVL ZVR + Blank

**EC DB\*S\* series Belt Drive Type**



**EC DWS\* series Wide Slider Type**



**EC D\* series Clean Room Specification**

EC -	DS3	L M H S	Blank	CR	-	50	-	0	-	ACR B CHI CHI2 CS DL DR ENG ENG2 FT MF MFE MOB MOL MOR MOT NM PN TMD2 VR WA WL WL2 ZG3 ZG4 ZNS + Blank	-	(**)	-	(SP)
	DS4		AH			1		1				+ Blank		+ Blank
	DS6		A			I		10				※1		
	DS7					S1								
	DS6X					I								
	DS7X					S10								
	DWS10													
	DWS12													
														※2

- ※1 : The case of special requirement order may indicate, to fitted acceptance condition.
- ※2 : The case of special requirement order may add the range, to fitted acceptance condition.