

EU DECLARATION OF CONFORMITY

Manufacturer:

IAI CORPORATION
1210, Ihara-cho, Shimizu-ku, Shizuoka-City, Shizuoka, 424-0114 Japan

Authorized representative within the Community:

IAI Industrieroboter GmbH
Ober der Röth 4, D-65824 Schwalbach am Taunus, Germany

Hereby declares that the equipment described below:

Equipment:

Industrial Robot
(IF, IFA, RS series)

Models covered are shown in the next page.

Complies with the essential requirements of the EMC Directive 2014/30/EU,
based on the following specifications applied:

EN 55011 :2016/A1 :2017/A11 :2020, EN 61000-6-2 :2005 / AC :2005,
EN 61800-3 :2004/A1 :2012

Also complies with the provisions of the Low Voltage Directive 2014/35/EU, based on
the following specifications applied:

EN61800-5-1:2007/A1:2017
EN 60204-1 :2018

And complies with the provisions of the RoHS Directive 2011/65/EU+(EU)2015/863,
based on the following specifications applied:

EN IEC 63000 :2018

Done at Shizuoka, Japan,

On 8, Aug., 2024

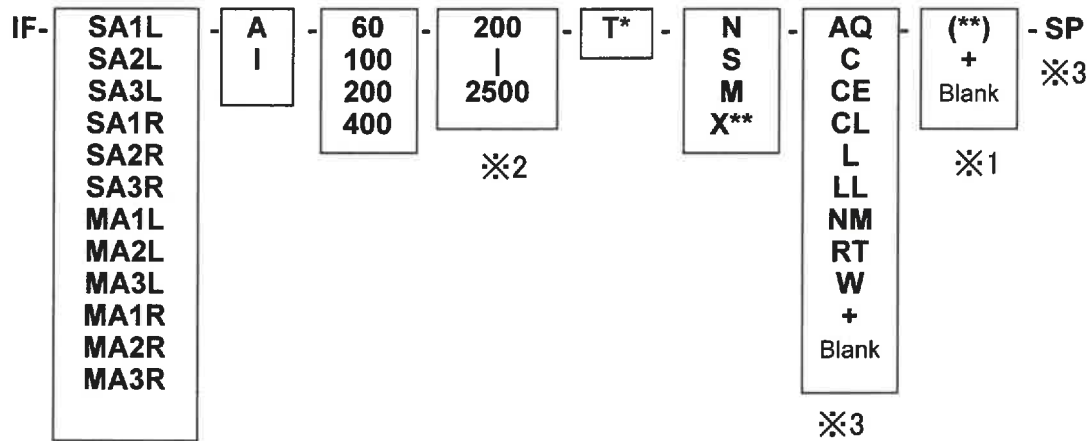


President Toru Ishida

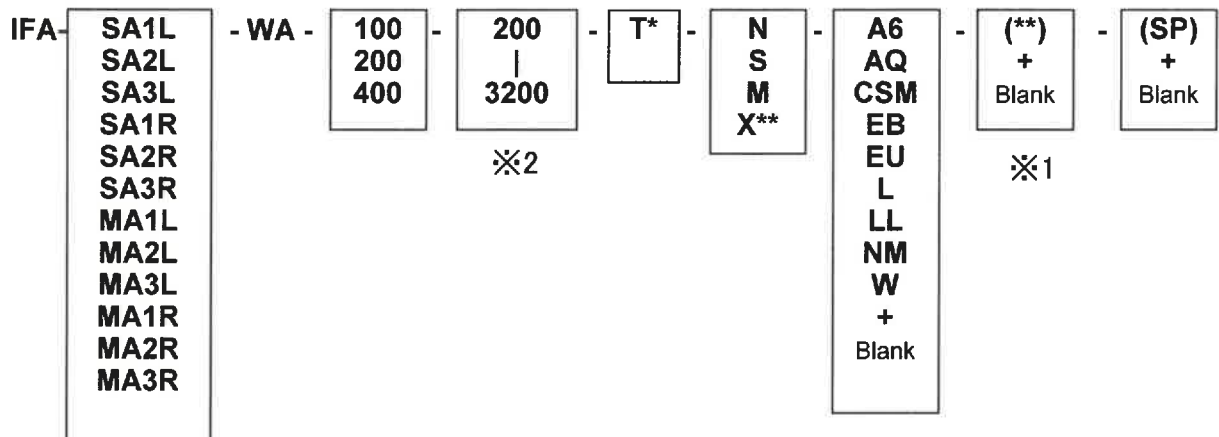


ORIGINAL

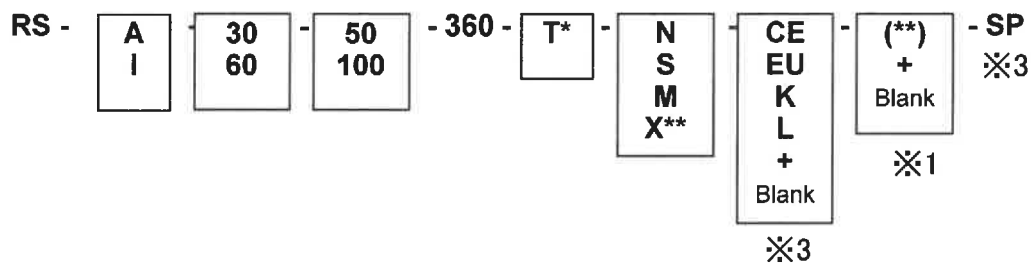
IF series



IFA series



RS series



+ : Others may exist

※1 : The case of special requirement order may indicate, to fitted acceptance condition.

※2 : The case of special requirement order may add the range, to fitted acceptance condition.

※3 : Both "CE" options and Special Specifications (-SP) are required to apply the EU Declaration of Conformity.