

EU DECLARATION OF CONFORMITY

Manufacturer:

IAI CORPORATION
1210, Ihara-cho, Shimizu-ku, Shizuoka-City, Shizuoka, 424-0114 Japan

Authorized representative within the Community:

IAI Industrieroboter GmbH
Ober der Röth 4, D-65824 Schwalbach am Taunus, Germany

Hereby declares that the equipment described below:

Equipment:

ROBO Cylinder
(RCP5 series)

Models covered are shown in the next page

Complies with the essential requirements of the EMC Directive 2014/30/EU, based on the following specifications applied :

EN 55011 :2016/A1 :2017/A11 :2020, EN 61000-6-2 :2005/AC :2005
EN 61800-3 :2004/A1 :2012

And also complies with the provisions of the RoHS Directive 2011/65/EU+(EU)/2015/863, based on the following specifications applied :

EN IEC 63000 :2018

Done at Shizuoka, Japan,

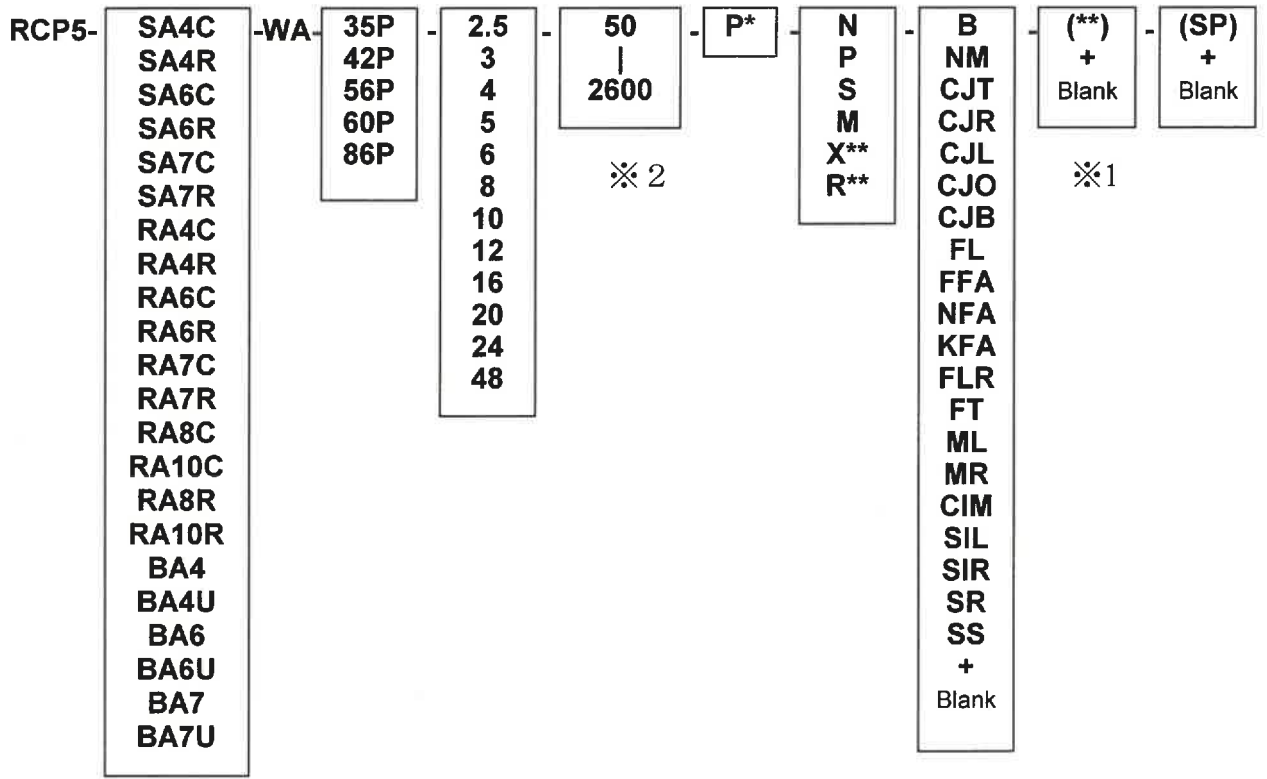
On 8, Aug., 2024



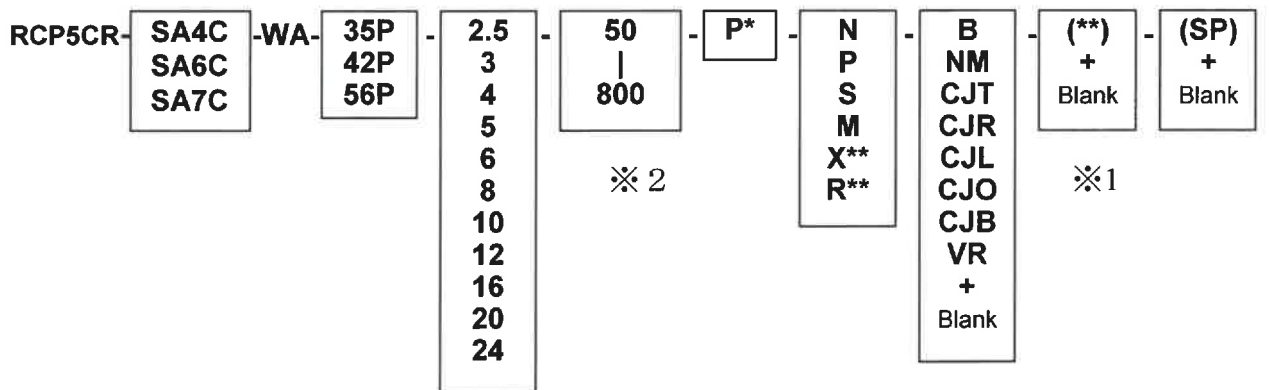
President Toru Ishida

ORIGINAL

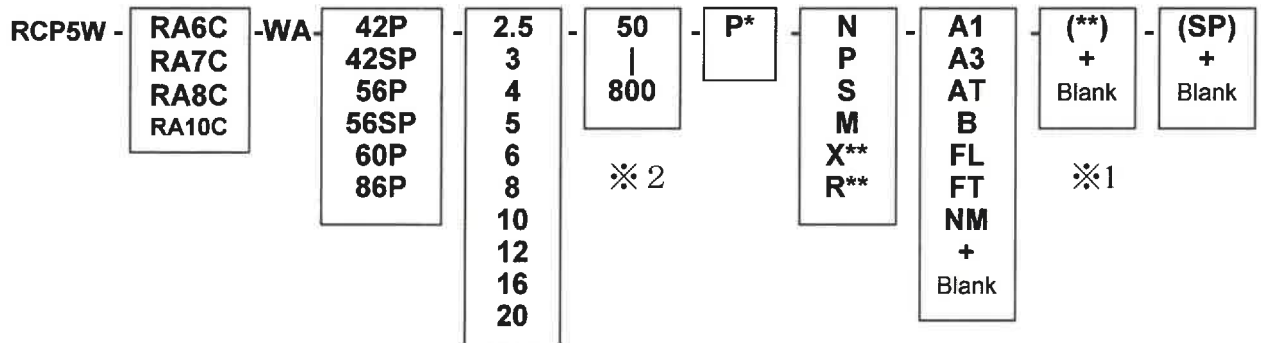
RCP5 series



RCP5CR series



RCP5W series



+ : Others may exist

※1 : Specified user's (Construction is the same as standard model except this item) discrimination code which may be set not only this position but in the option column or before the option column.

※2 : The stroke may extend more than this range according to special user's request.