

EU DECLARATION OF CONFORMITY

Manufacturer:

IAI CORPORATION
1210, Ihara-cho, Shimizu-ku, Shizuoka-City, Shizuoka, 424-0114 Japan

Authorized representative within the Community:

IAI Industrieroboter GmbH
Ober der Röth 4, D-65824 Schwalbach am Taunus, Germany

Hereby declares that the equipment described below:

Equipment:

ELE Cylinder
(EC series)

Models covered are shown after the following page

Complies with the essential requirements of the EMC Directive 2014/30/EU, based on the following specifications applied:

EN 55011 :2016/A1 :2017/A11 :2020, EN 61000-6-2 : 2005/AC :2005,
EN 61800-3 :2004/A1 :2012

And also complies with the provisions of the RoHS Directive 2011/65/EU+(EU)2015/863, based on the following specifications applied:

EN IEC 63000 :2018

Done at Shizuoka, Japan,

On 18 , Apr. , 2025



A handwritten signature in black ink, appearing to read 'Toru Ishida', is written over a horizontal line.

President Toru Ishida

ORIGINAL

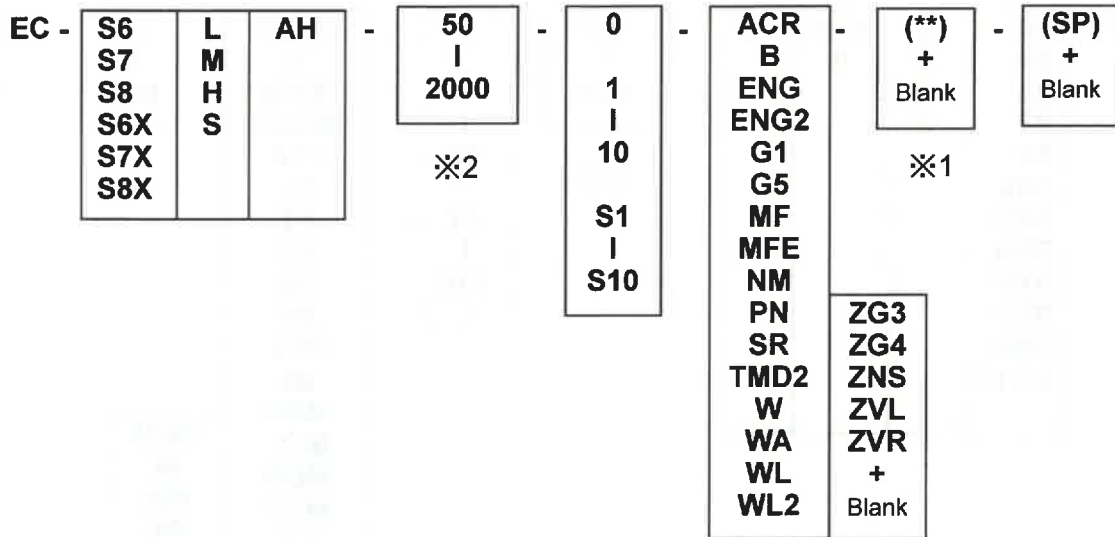
EC series Slider / Rod Type

EC -	S3	L M H S	Blank A	-	50 1500	-	0	-	ACR B ENG ENG2 FL FT G1 G5 MF MFE MOB MOL MOR MOT NFA NM PN SR TMD2 W WA WL WL2	-	(**) + Blank	-	(SP) + Blank								
	S4																				
	S6																				
	S7																				
	S8																				
	S8X																				
	R6																				
	R7																				
														※2							
														1							
														10							
														S1							
				S10																	
								ZG3 ZG4 ZNS ZVL ZVR + Blank													

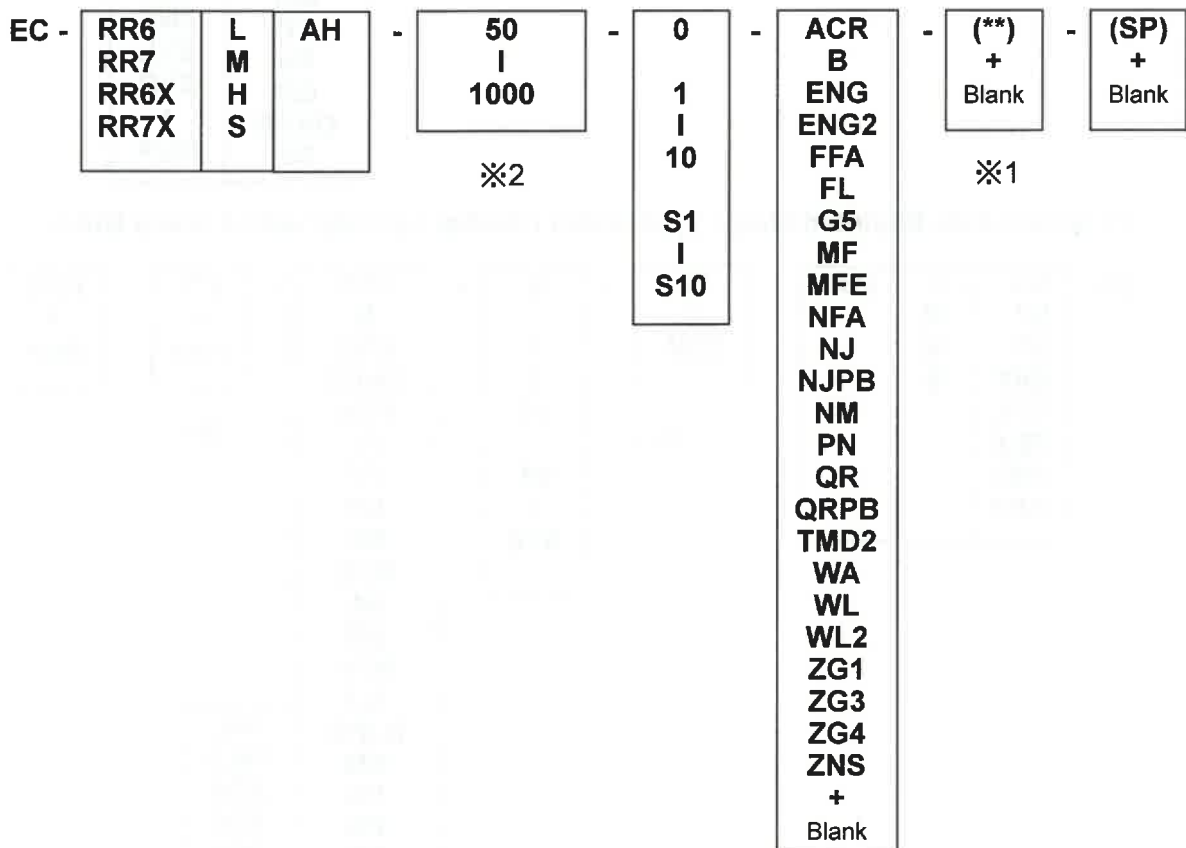
EC series Radial Cylinder

EC -	RR3	L M H S	-	50 800	-	0	-	ACR B ENG ENG2 FFA FL FT G5 MF MFE MOB MOL MOR MOT NFA NJ NJPB NM PN QR QRPB TMD2 WA WL WL2	-	(**) + Blank	-	(SP) + Blank								
	RR4																			
	RR6																			
	RR7																			
	RR8																			
	RR10																			
													※2							
													1							
													10							
													S1							
													S10							
																	ZG1 ZG3 ZG4 ZNS + Blank			

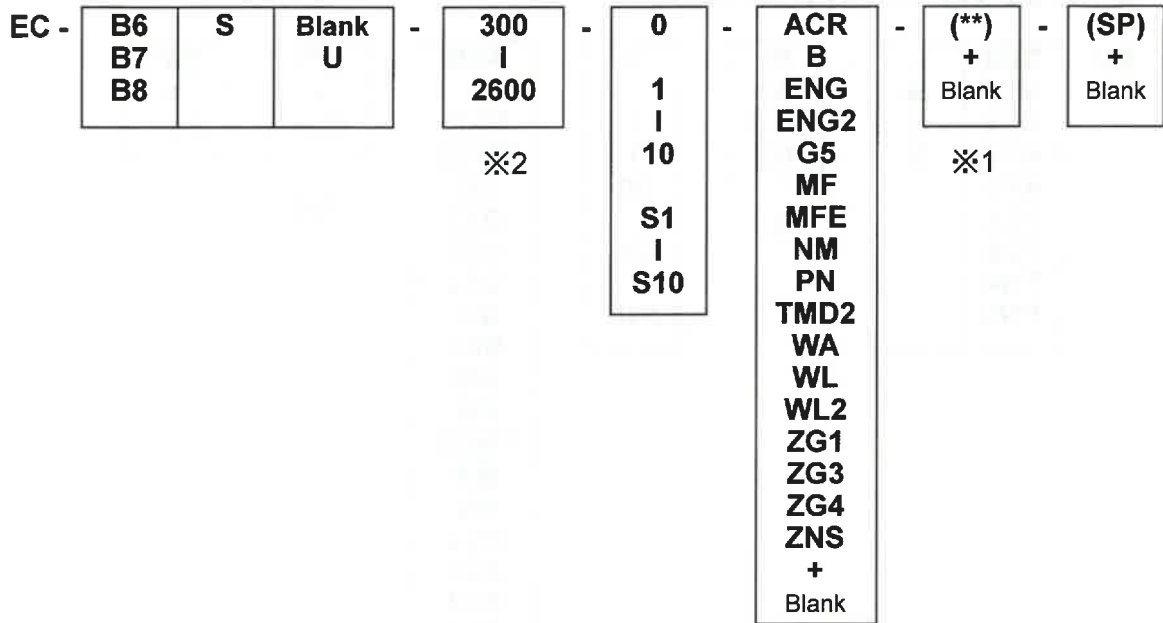
EC series High Rigidity Slider Type



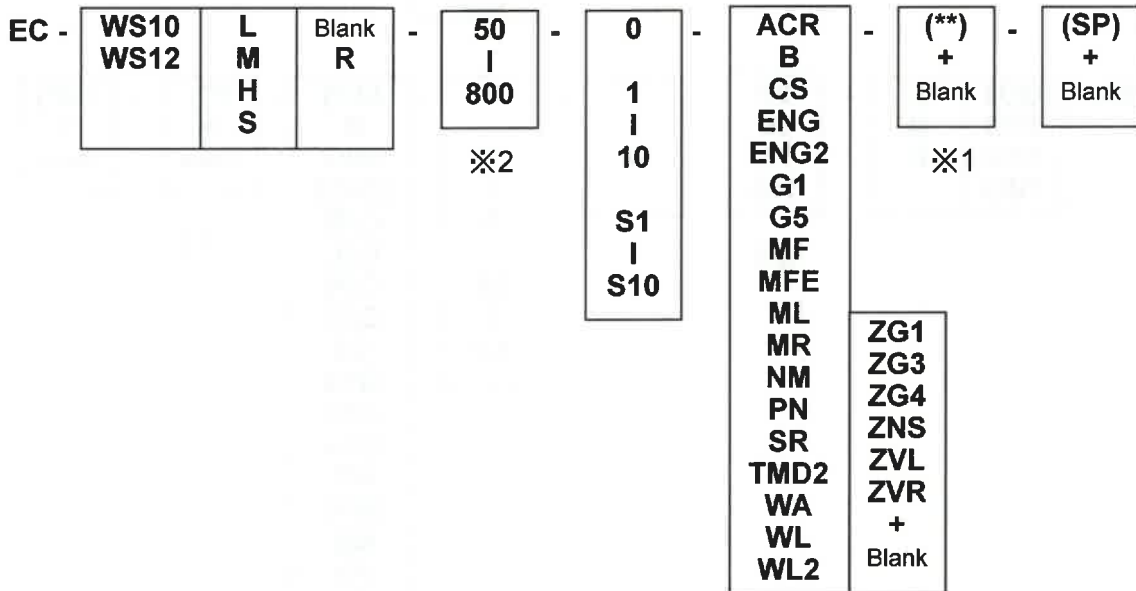
EC series High Rigidity Long Stroke Radial Cylinder



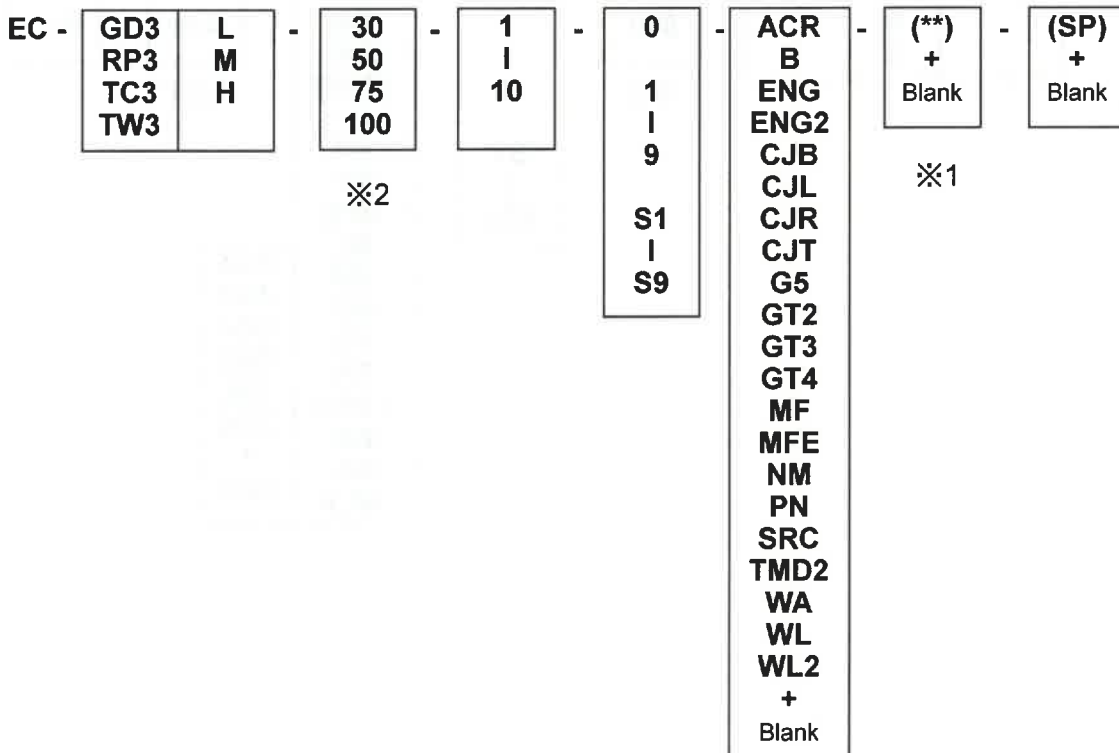
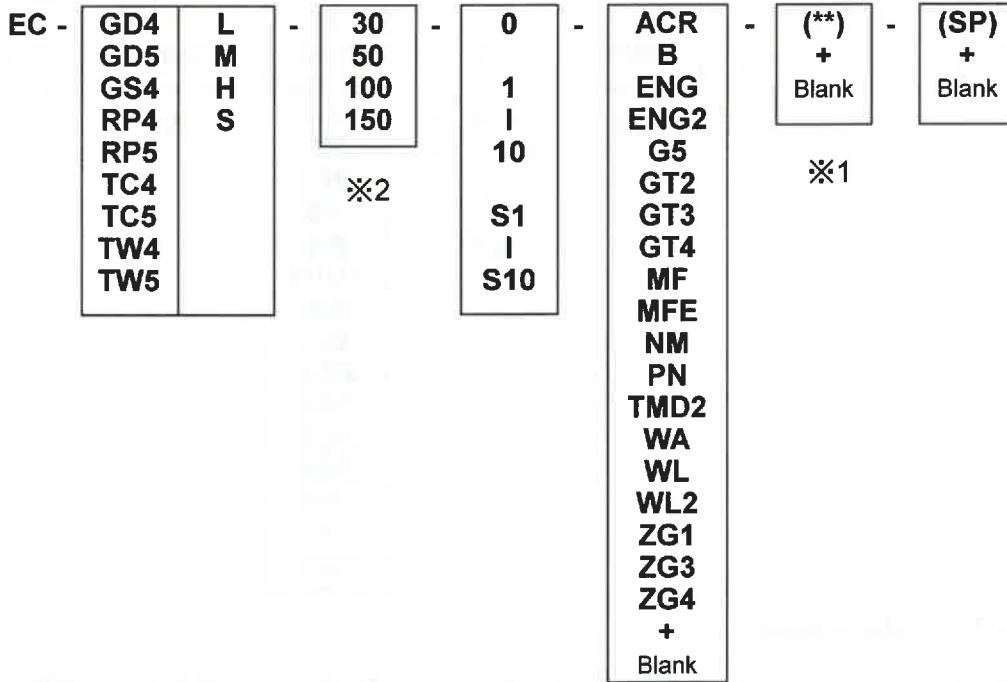
EC series Belt Drive Type

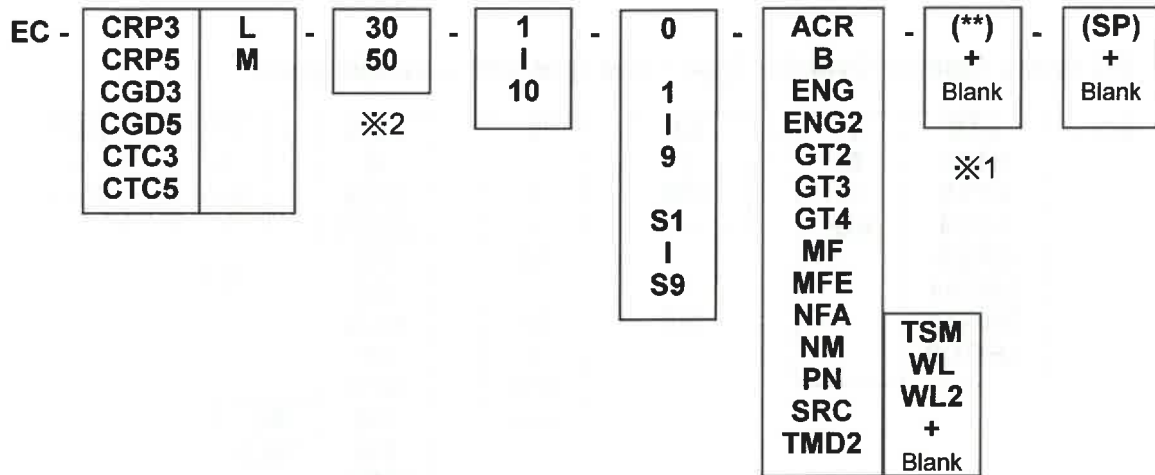


EC series Wide Slider Type

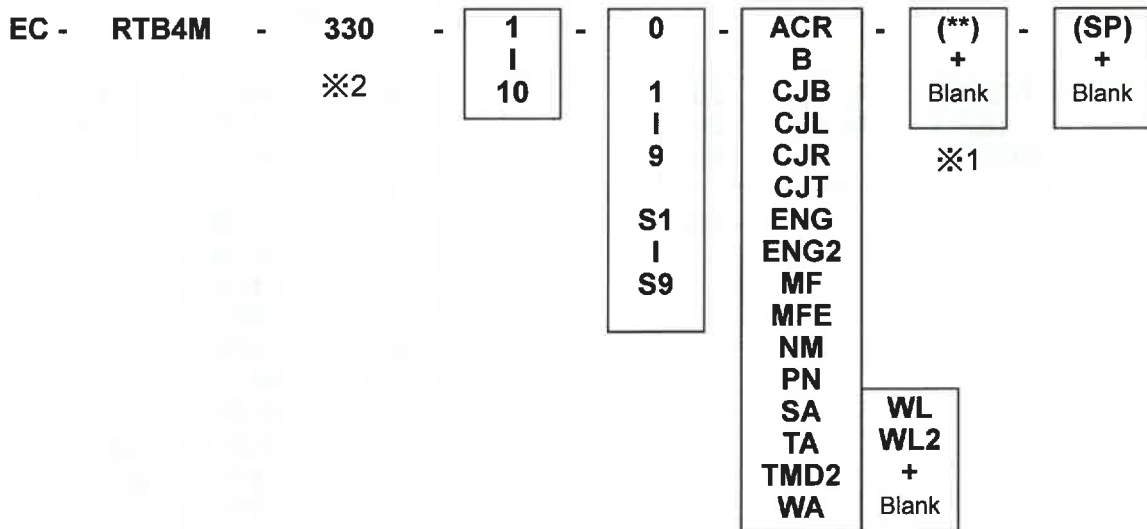
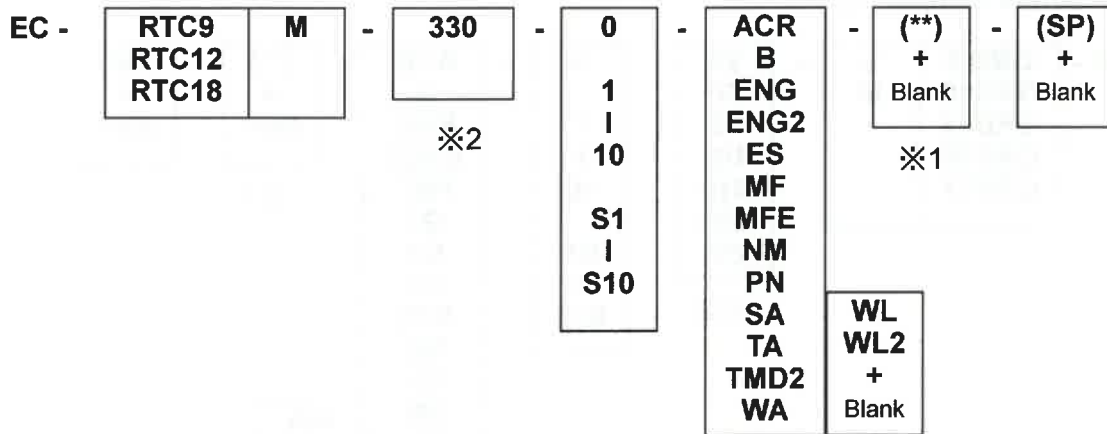


EC series Mini Rod Cylinder Type

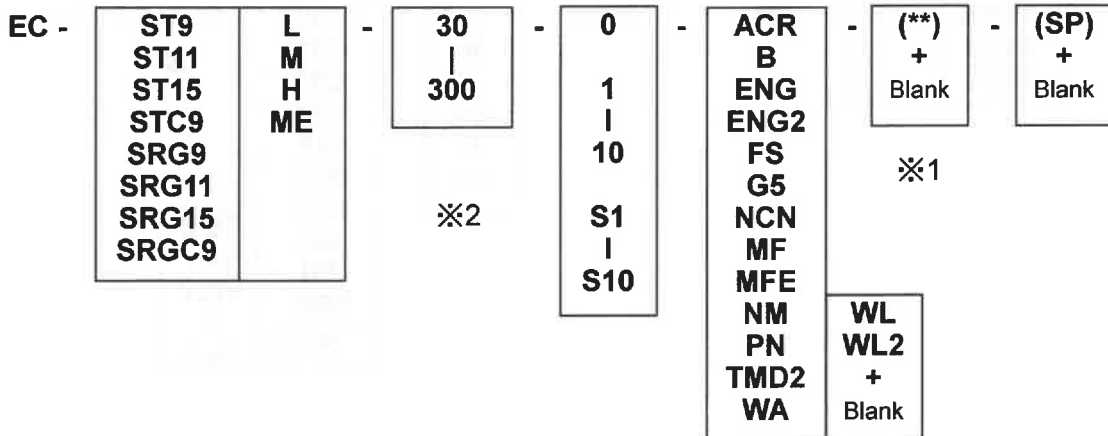




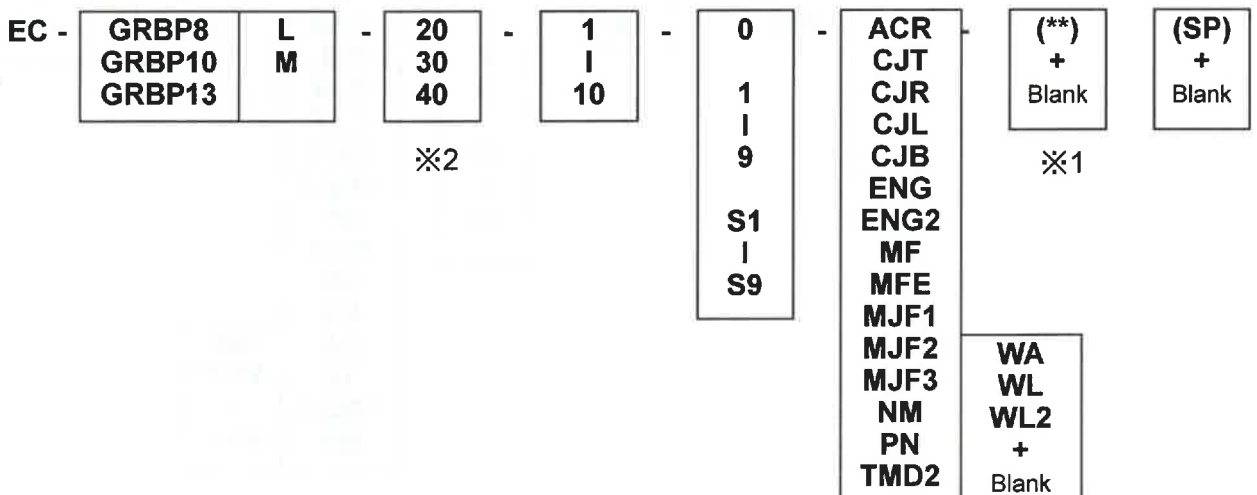
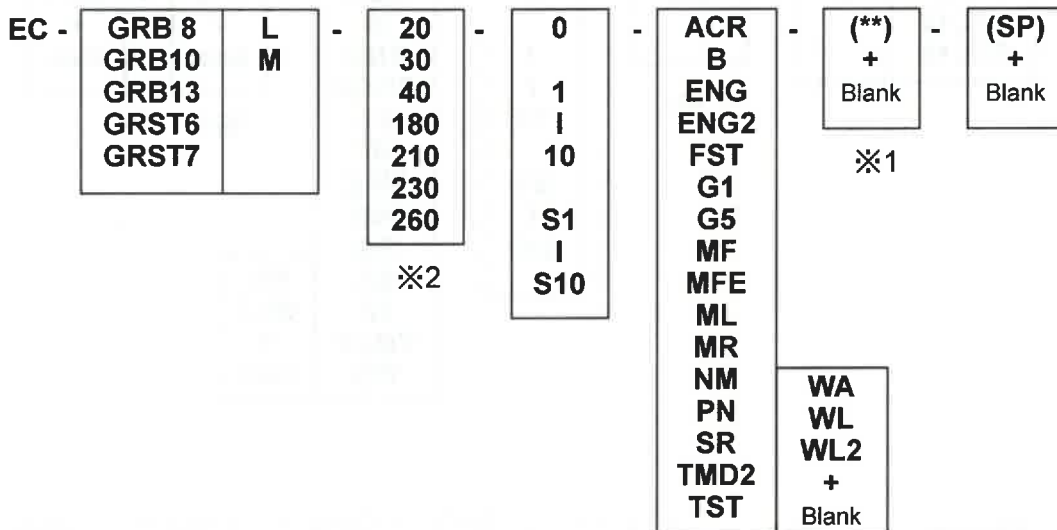
EC series Rotary Type

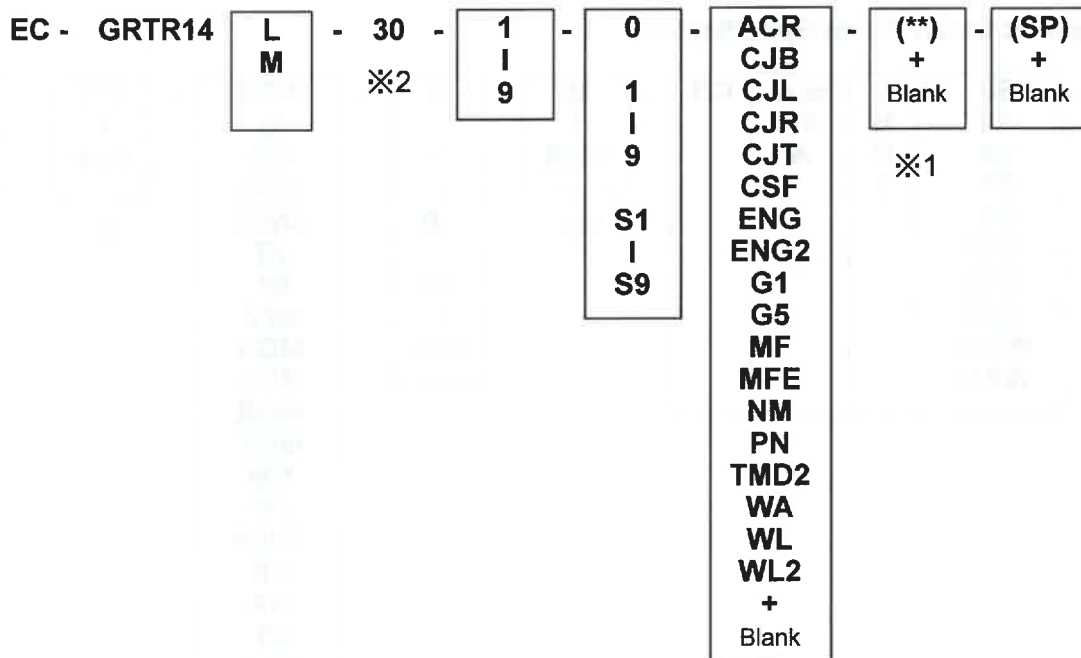
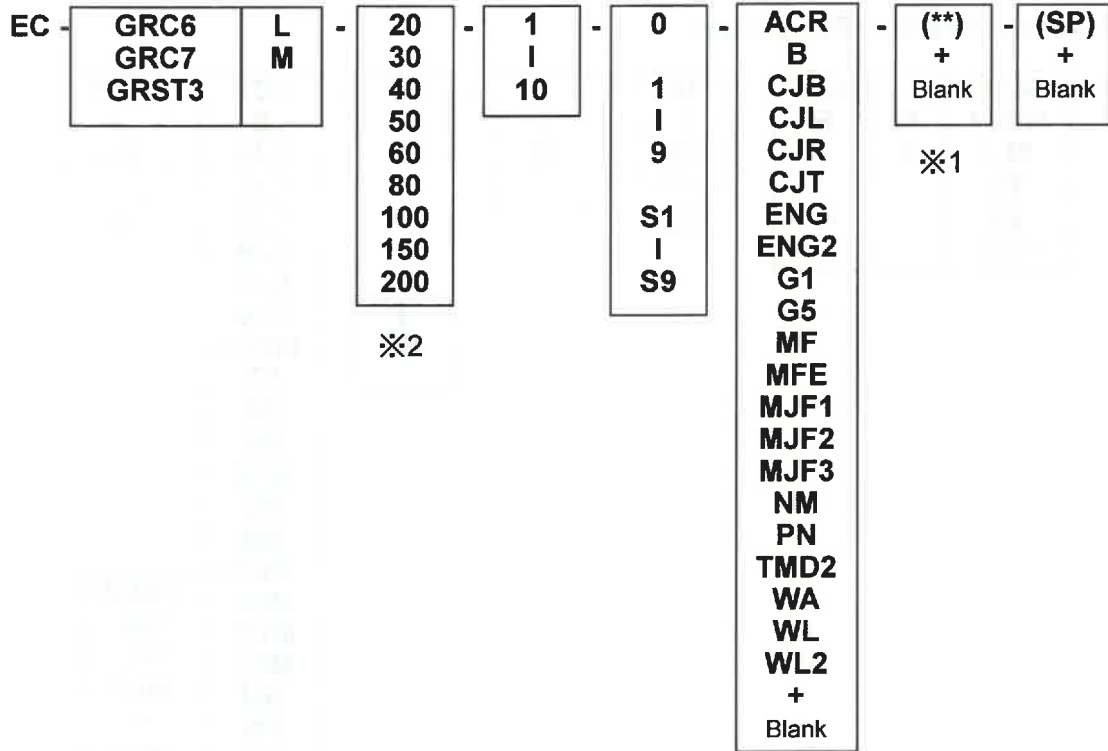


EC series Stopper Cylinder Type / Rod type with a double guide



EC series Gripper Type





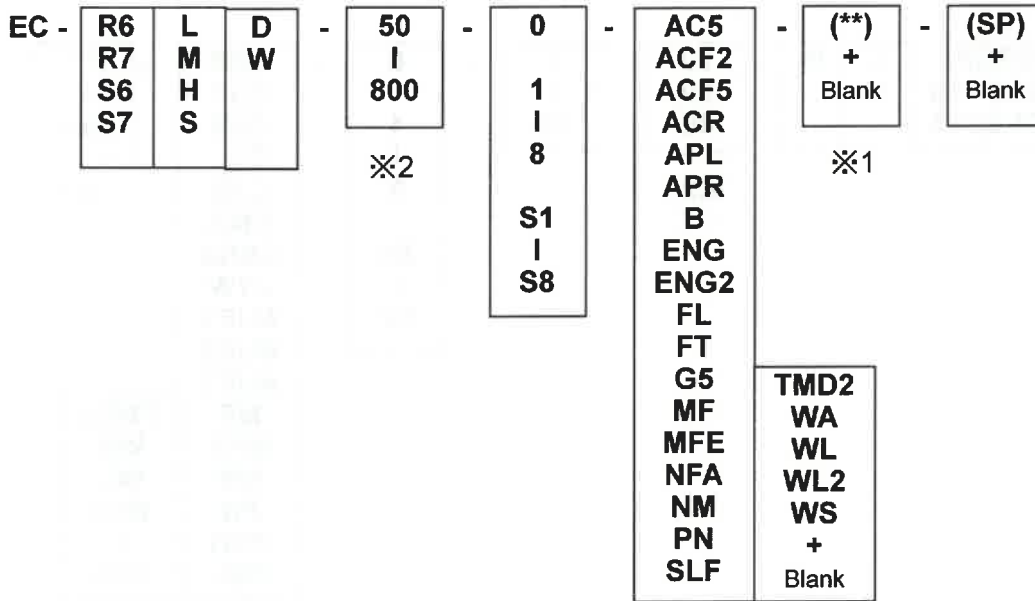
EC series Ultra Mini Elecyliner

EC -	GDB3 GDS3 SL3 T3 S2 RR2	L M H	Blank R	10 300 ※2	1 10	0 1 9 S1 S9	ACR B CJB CJL CJO CJR CJT ENG ENG2 FT G5 MF MFE ML MR MOB MOL MOR MOT NM PN SR	(**) + Blank ※1	(SP) + Blank

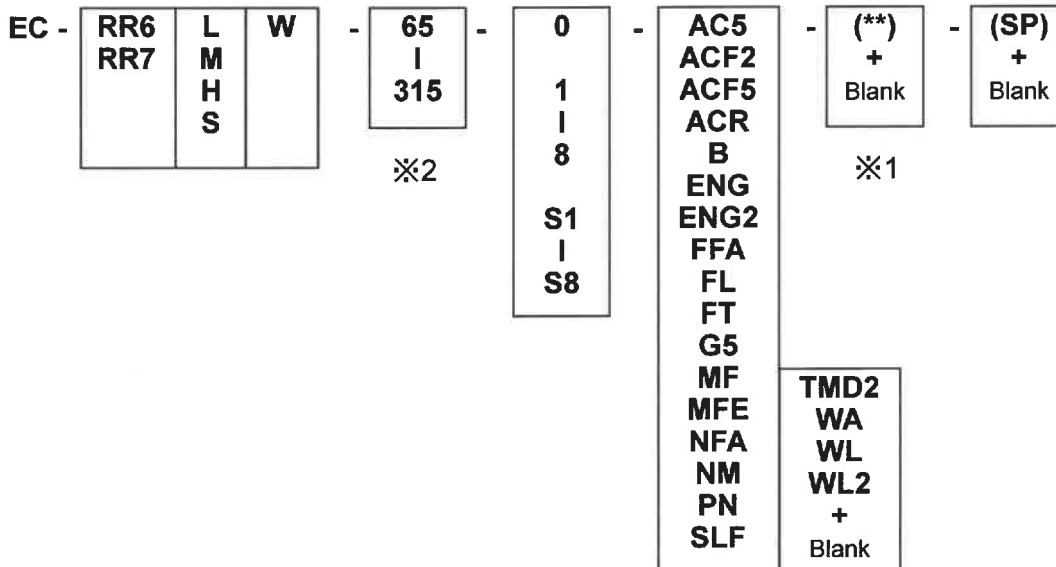
EC series Clean Room Specification

EC -	S3 S4 S6 S7 S8 S6X S7X S8X WS10 WS12	L M H S	Blank AH A	CR	50 1500 ※2	0 1 10 S1 S10	ACR B CS ENG ENG2 FT MF MFE MOB MOL MOR MOT NM PN TMD2 VR WA WL WL2 ZG3 ZG4 ZNS + Blank	(**) + Blank ※1	(SP) + Blank
------	---	------------------	------------------	----	-----------------------	--	--	--------------------------	--------------------

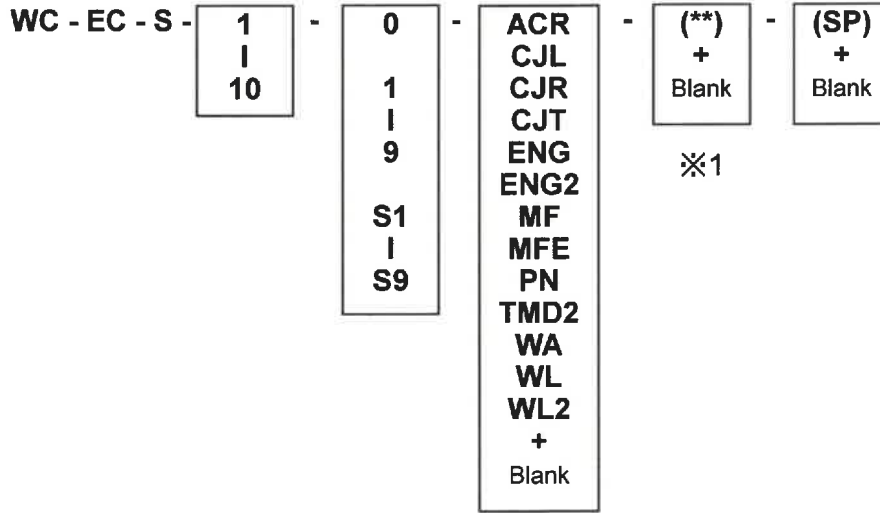
EC series Dust / Splash-Proof Rod / Slider Type



EC series Dust / Splash-Proof Radial Cylinder Type



Wire Controller



- ※1 : The case of special requirement order may indicate, to fitted acceptance condition.
- ※2 : The case of special requirement order may add the range, to fitted acceptance condition.