

EU DECLARATION OF CONFORMITY

Manufacturer:

IAI CORPORATION

1210, Ihara-cho, Shimizu-ku, Shizuoka-City, Shizuoka, 424-0114 Japan

Authorized representative within the Community:

IAI Industrieroboter GmbH

Ober der Röth 4, D-65824 Schwalbach am Taunus, Germany

Hereby declares that the equipment described below:

Equipment:

Industrial Robot

(ISA, ISPA, ISB, ISPB, SSPA series and specified RCS2 model)

Models covered are shown after the following page

Complies with the essential requirements of the EMC Directive 2014/30/EU, based on the following specifications applied:

EN 55011 :2016/A1 :2017/A11 :2020

EN 61000-6-2 :2005/AC :2005

EN 61800-3 :2004/A1 :2012

Also complies with the provisions of the Low Voltage Directive 2014/35/EU, based on the following specifications applied:

EN 61800-5-1 :2007/A1:2017

EN 60204-1 :2018

And complies with the provisions of the RoHS Directive 2011/65/EU+(EU)2015/863, based on the following specifications applied:

EN IEC 63000 :2018

Done at Shizuoka, Japan,

On 8, Aug., 2024

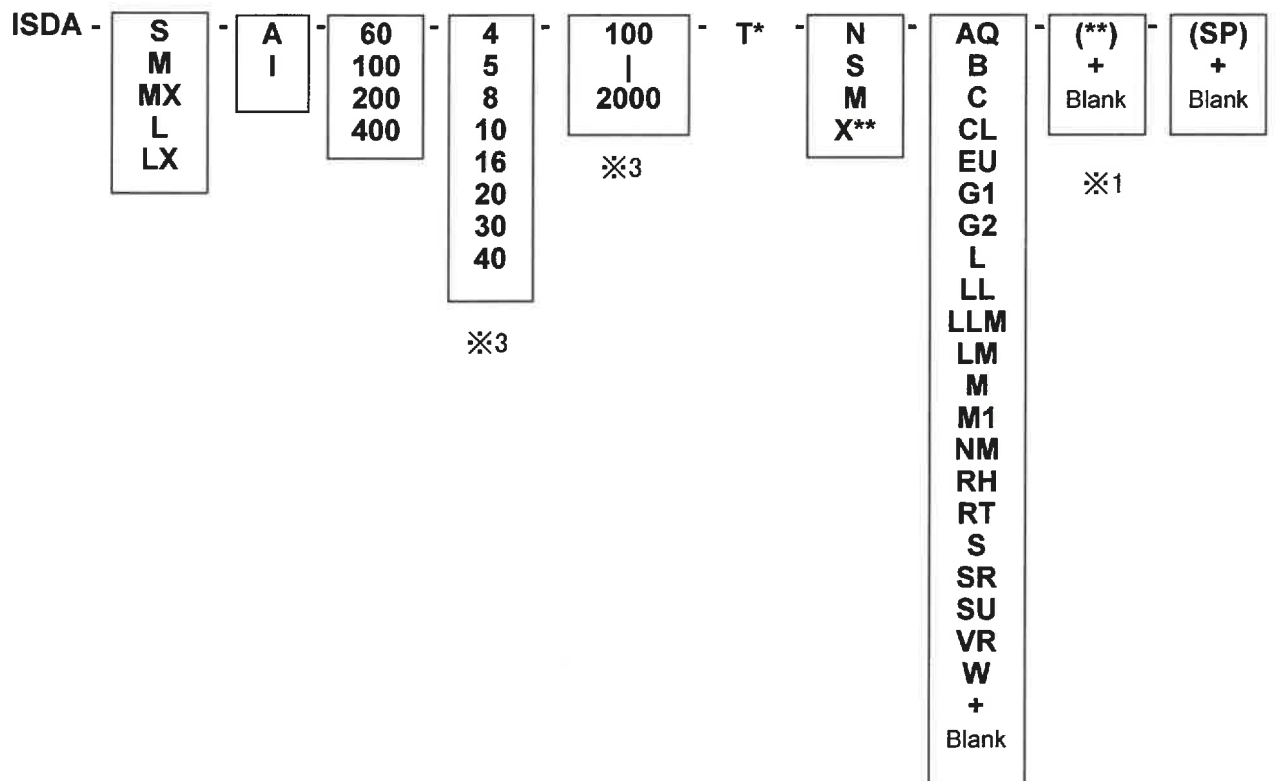
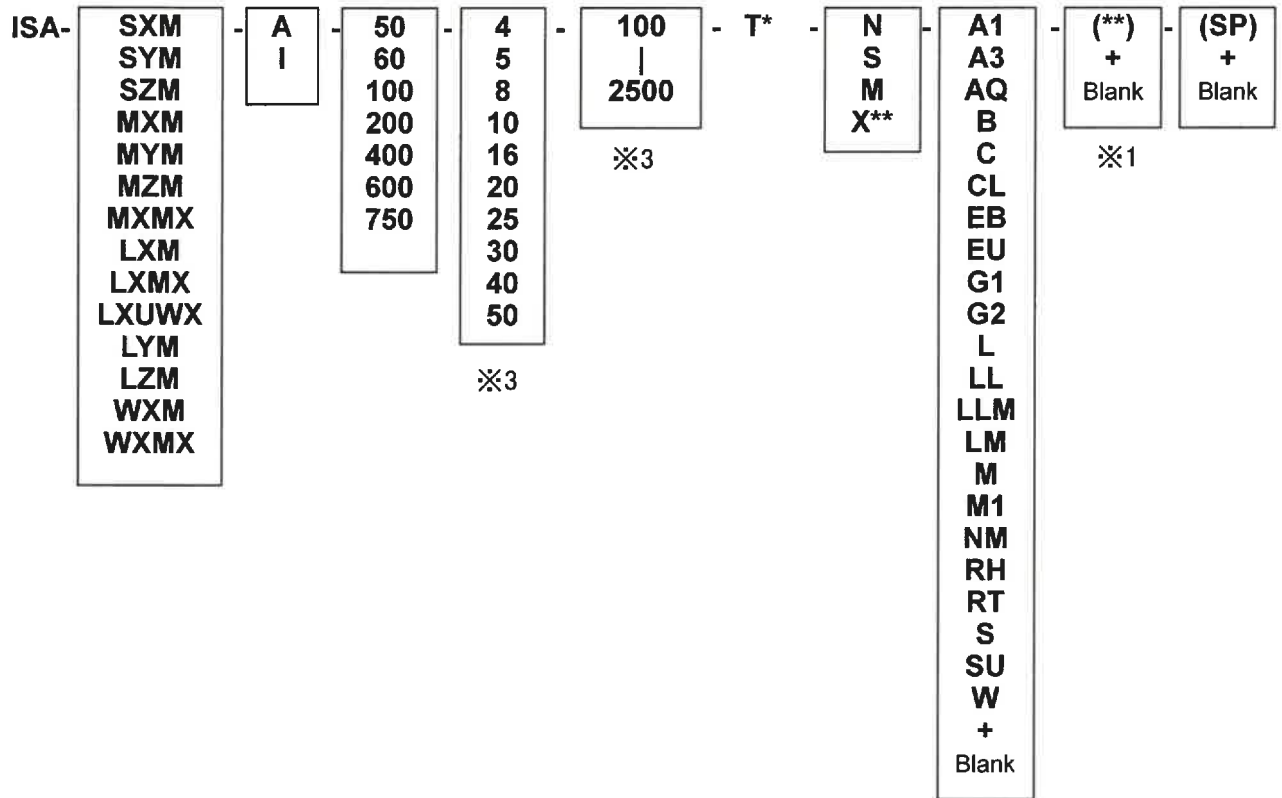


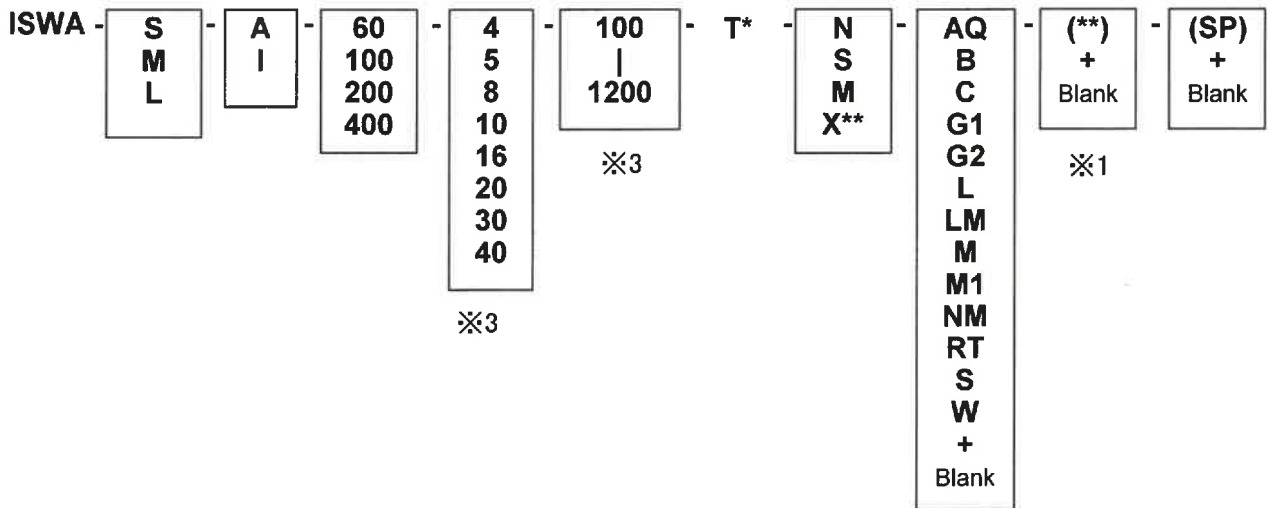
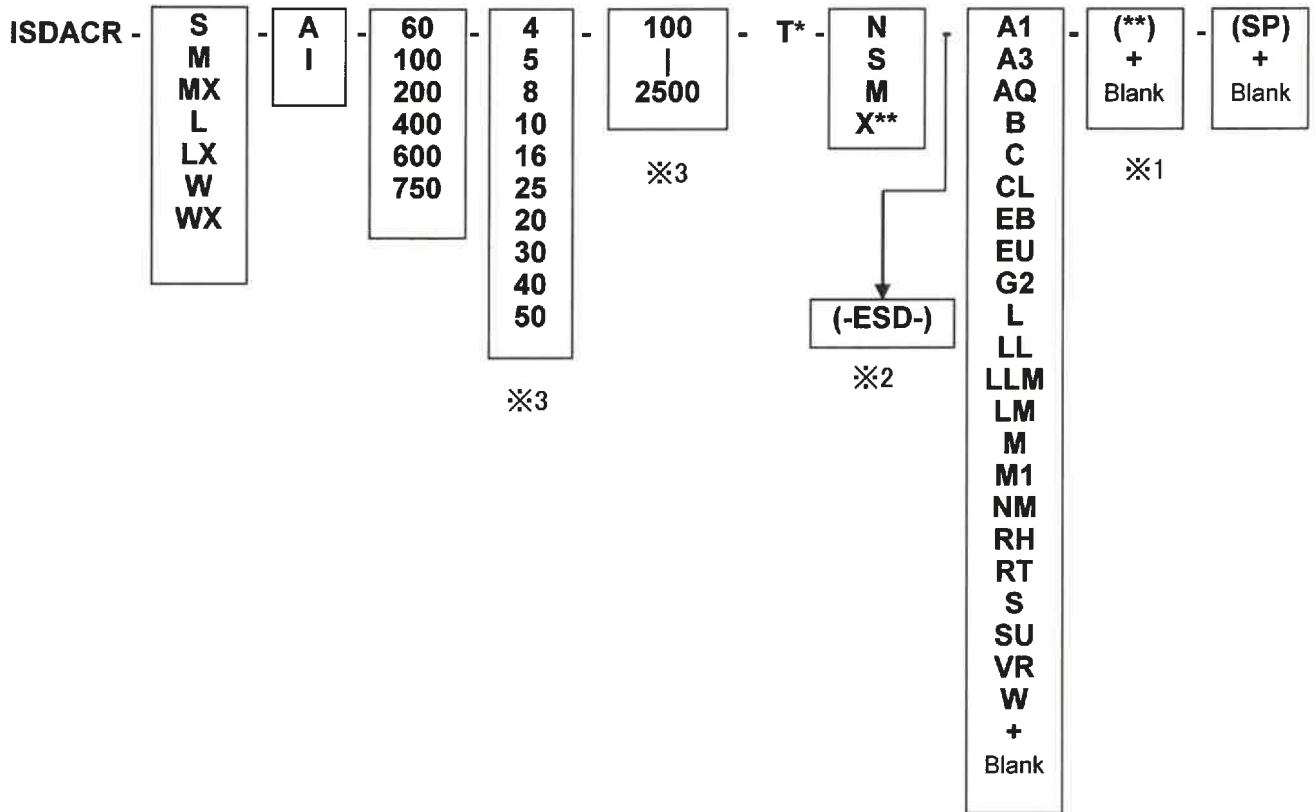
President Toru Ishida



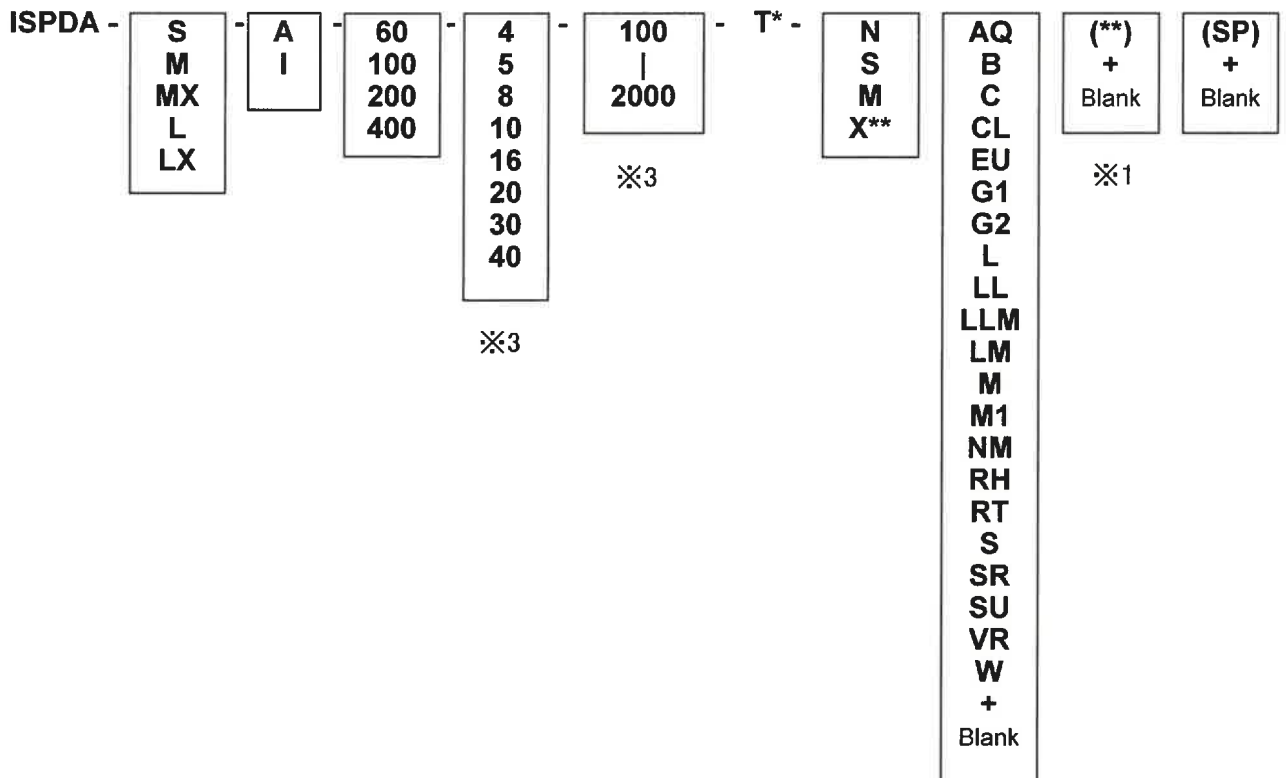
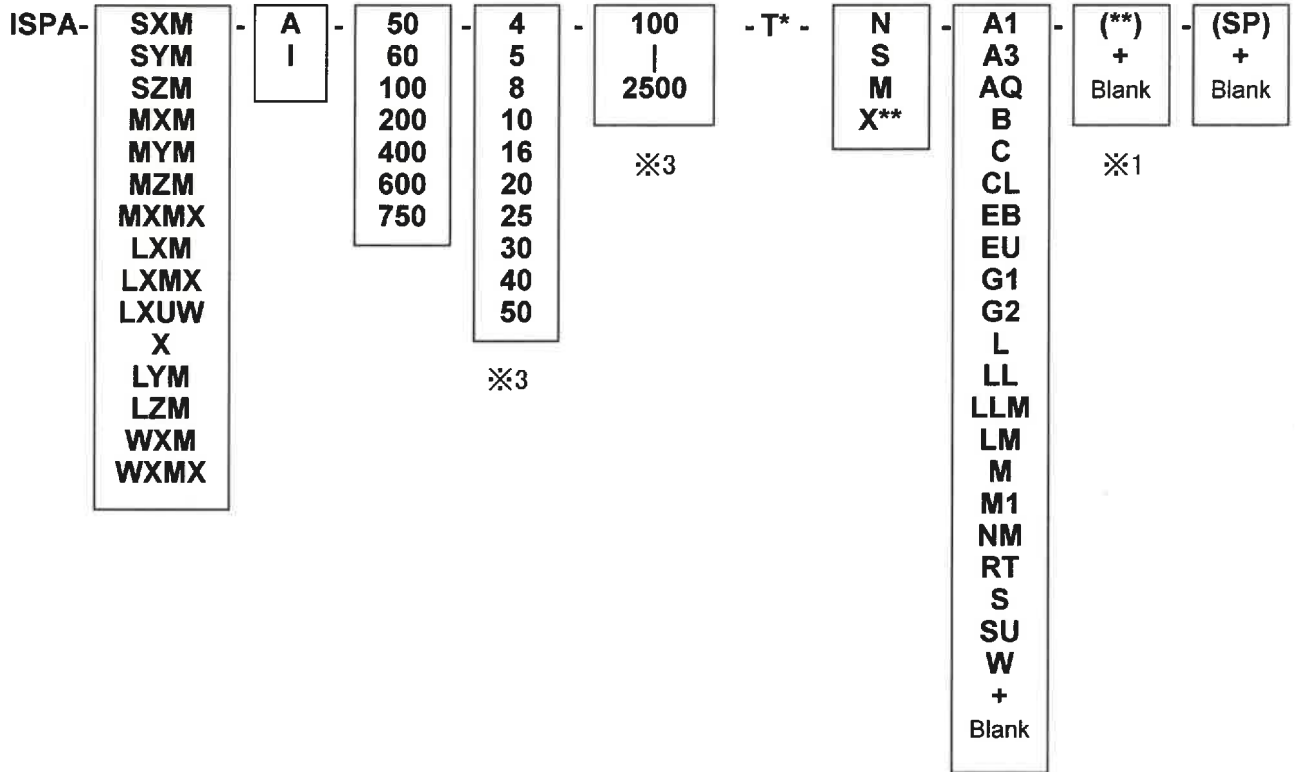
ORIGINAL

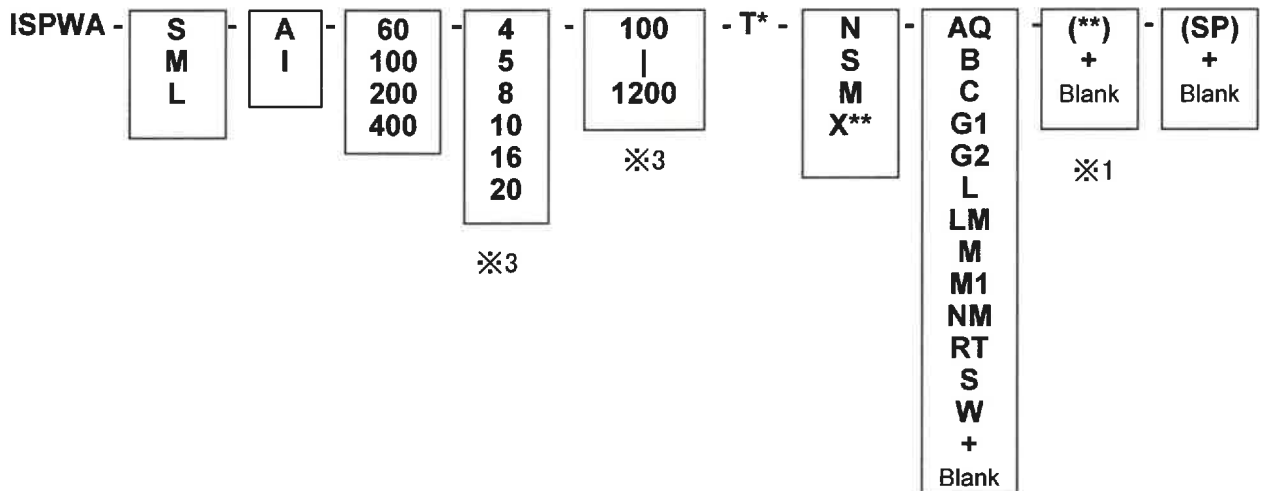
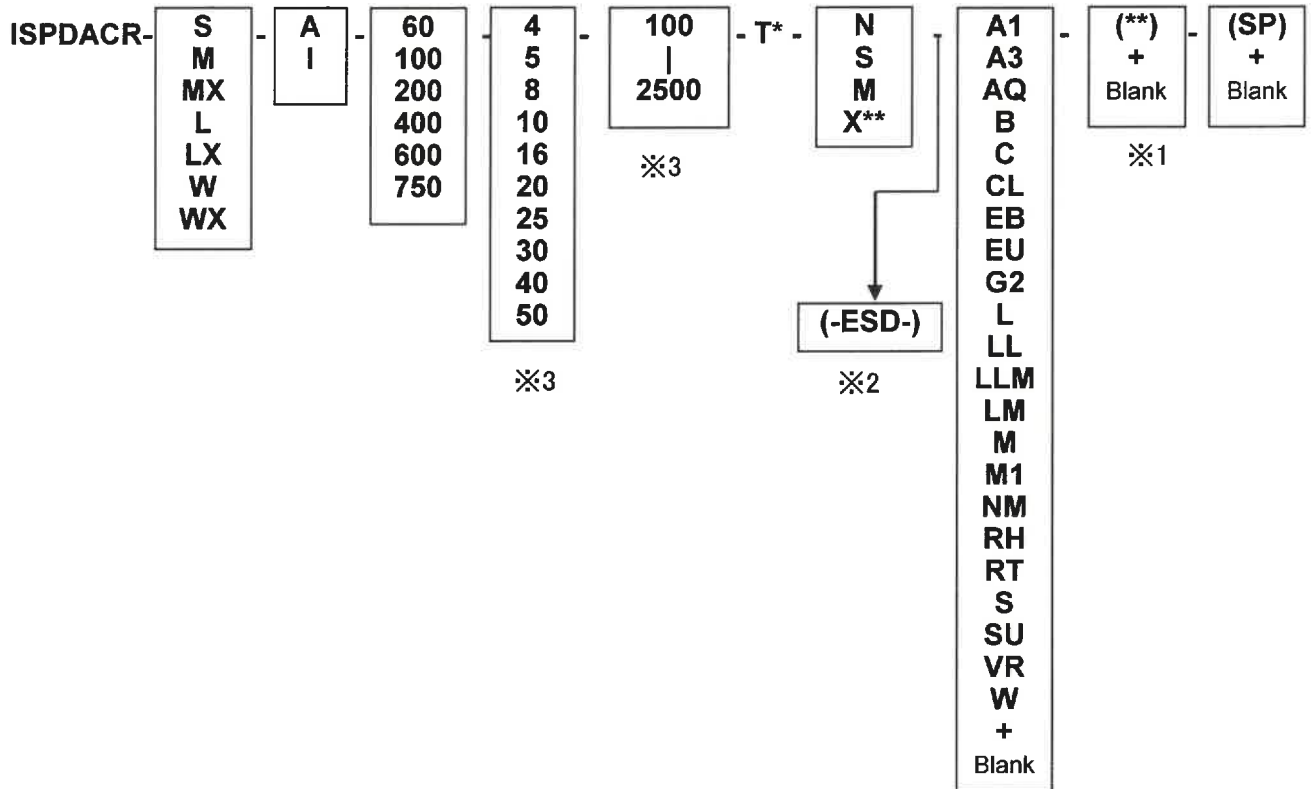
ISA series



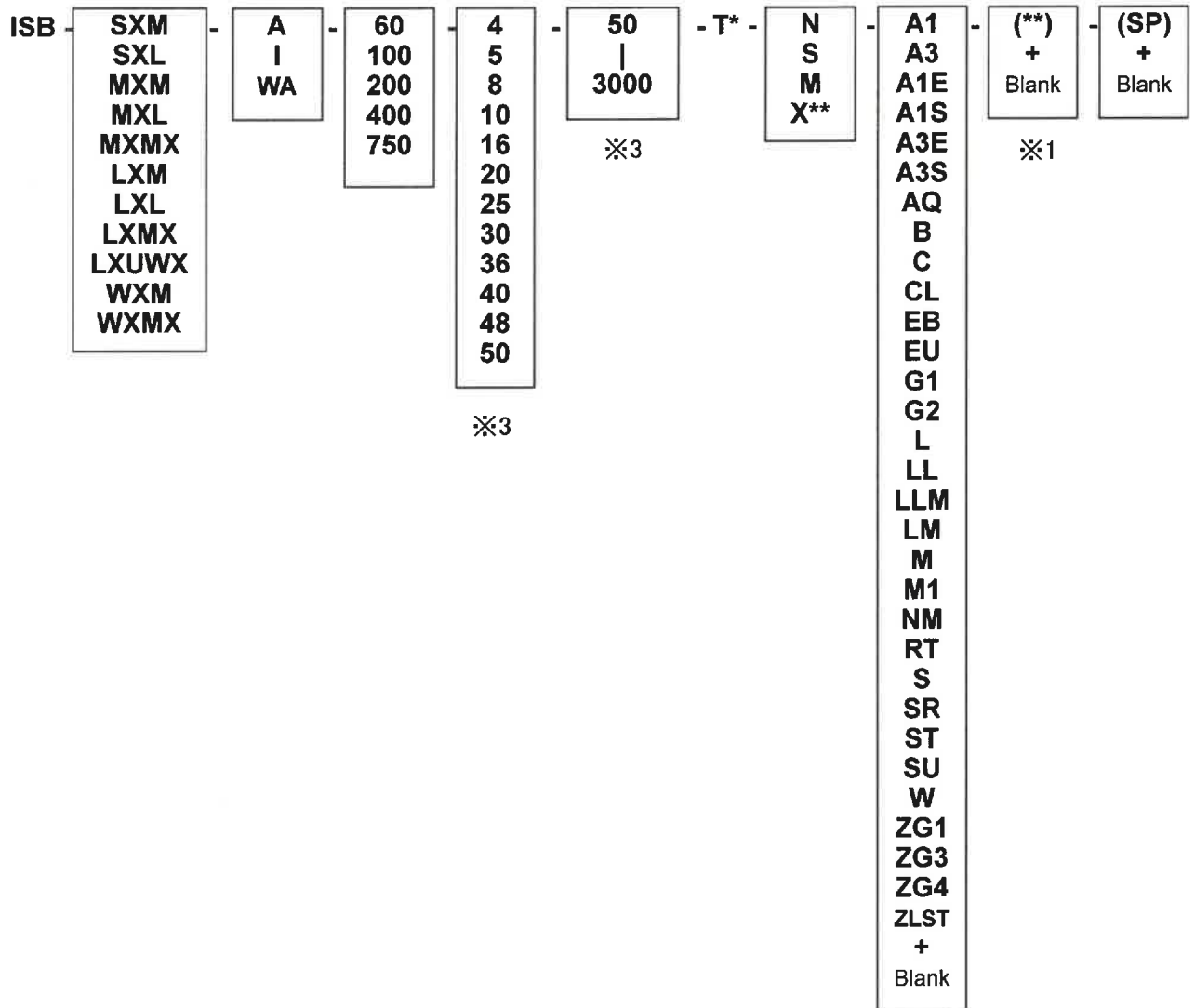


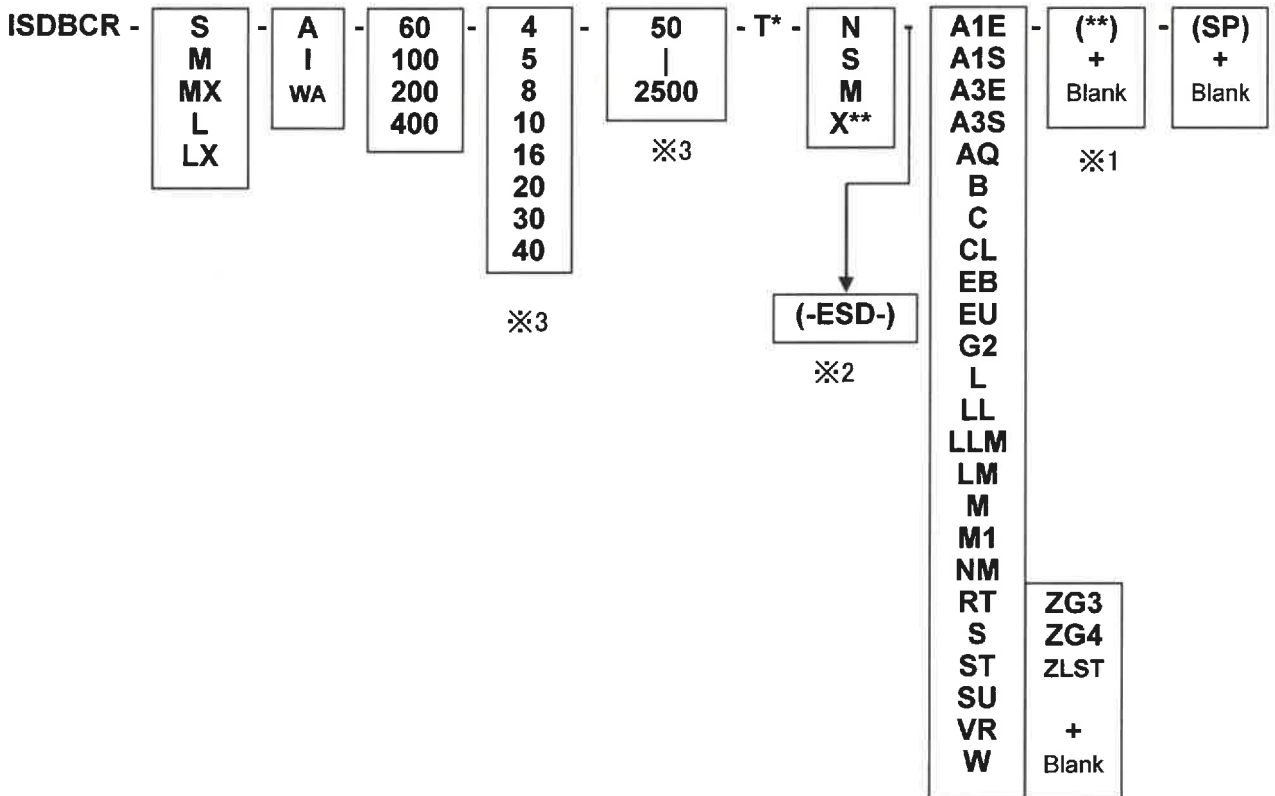
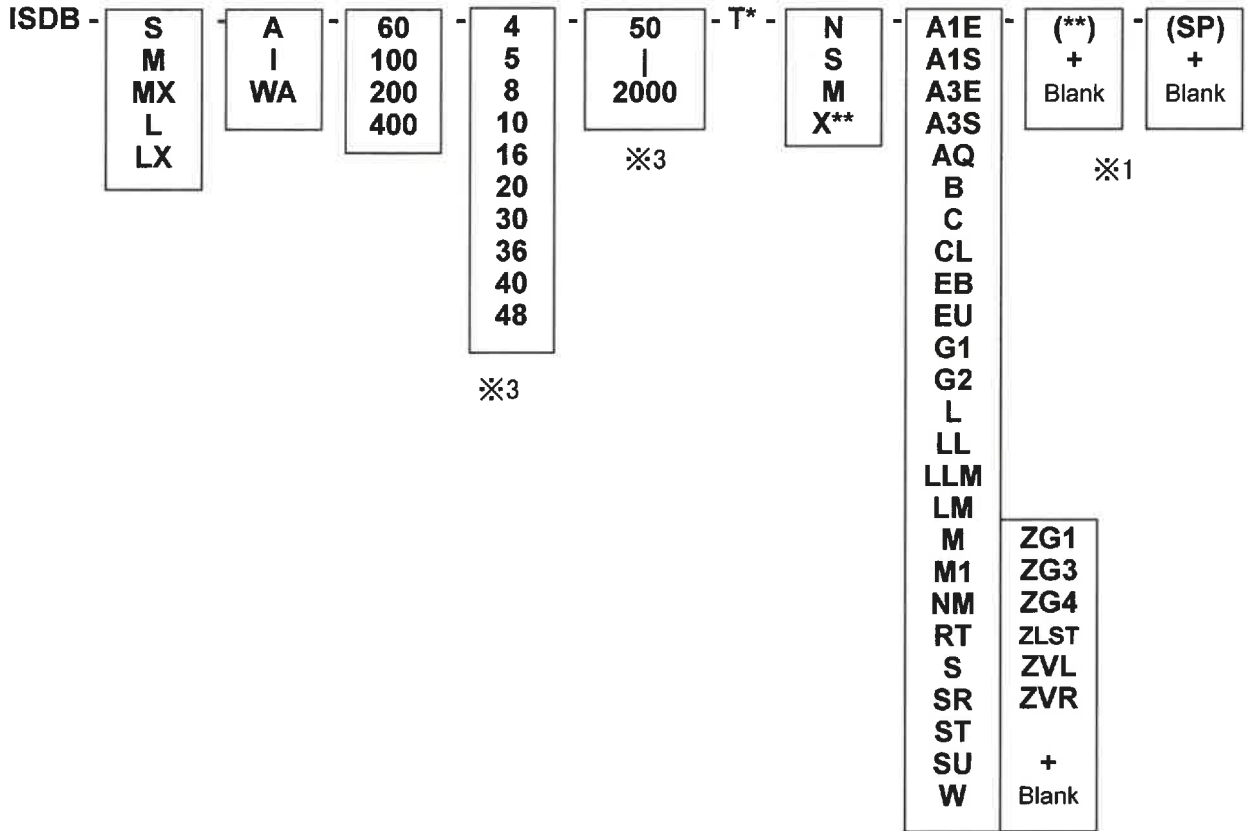
ISPA series



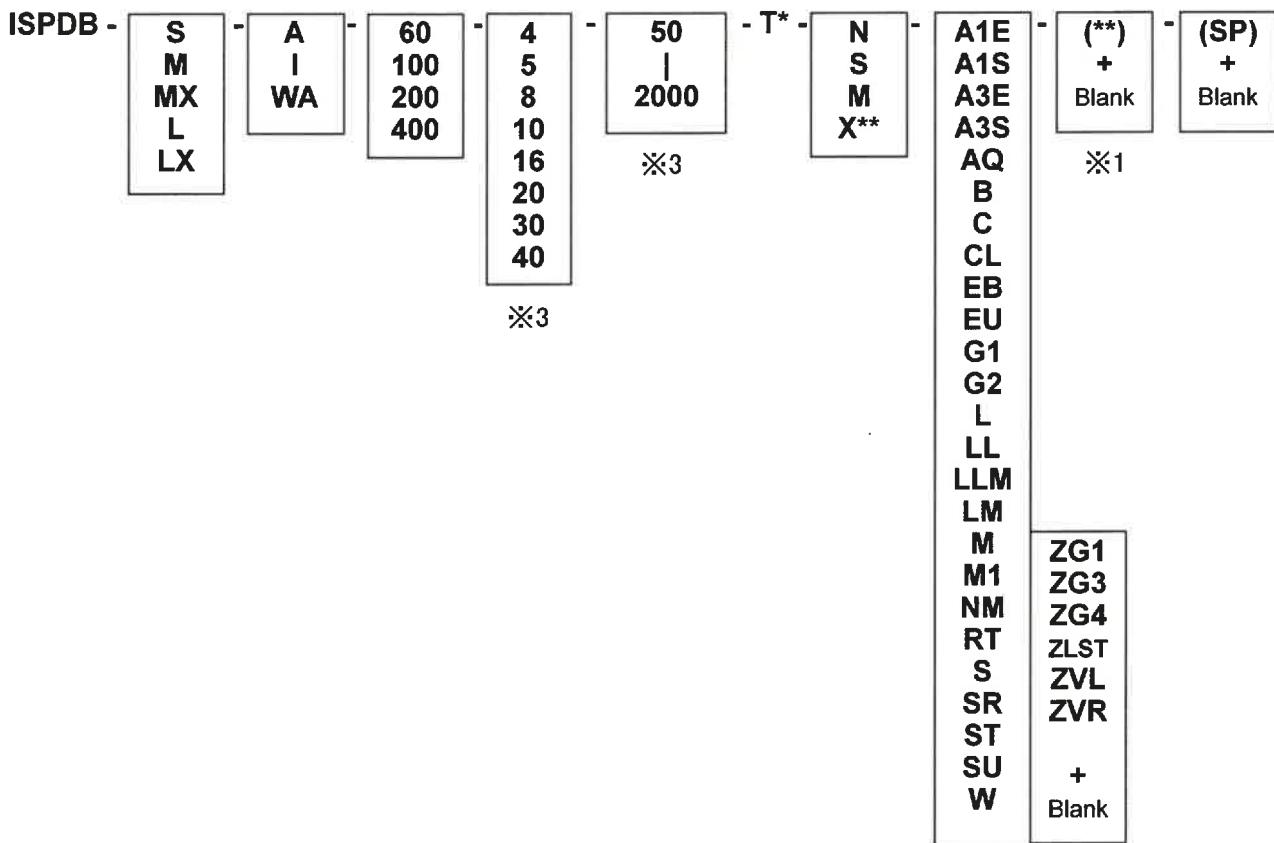
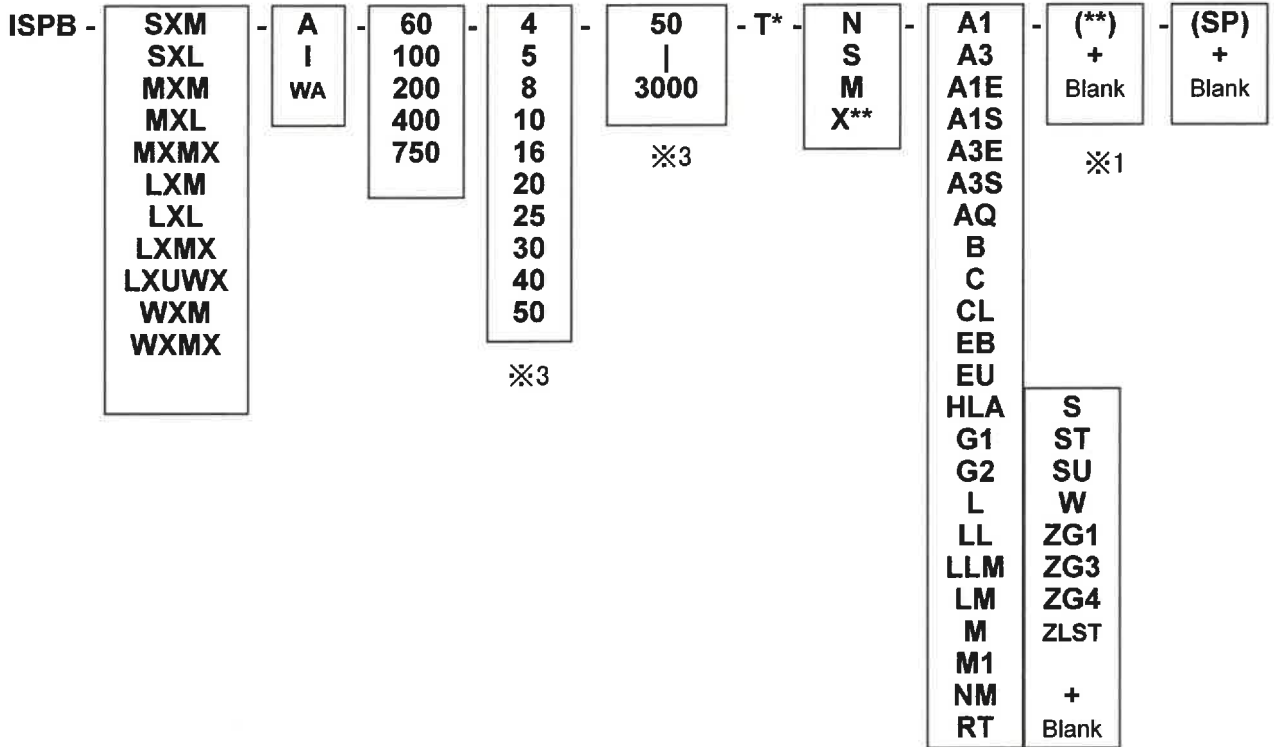


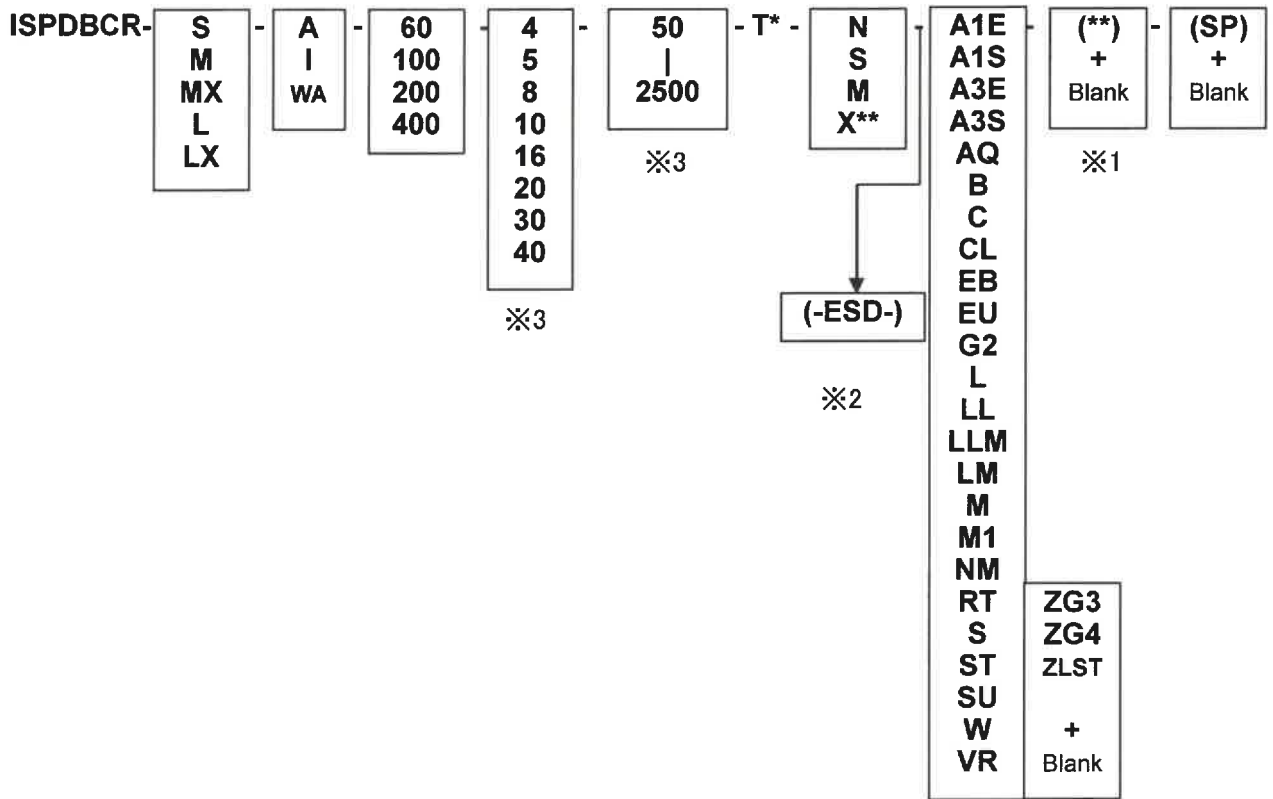
ISB series



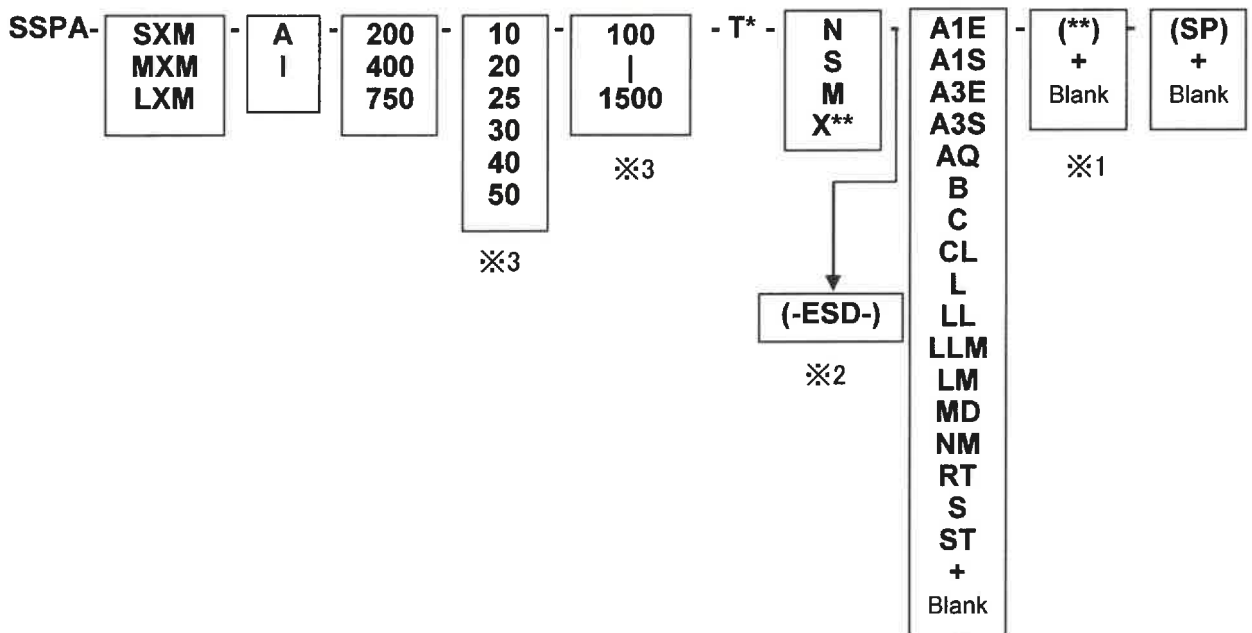


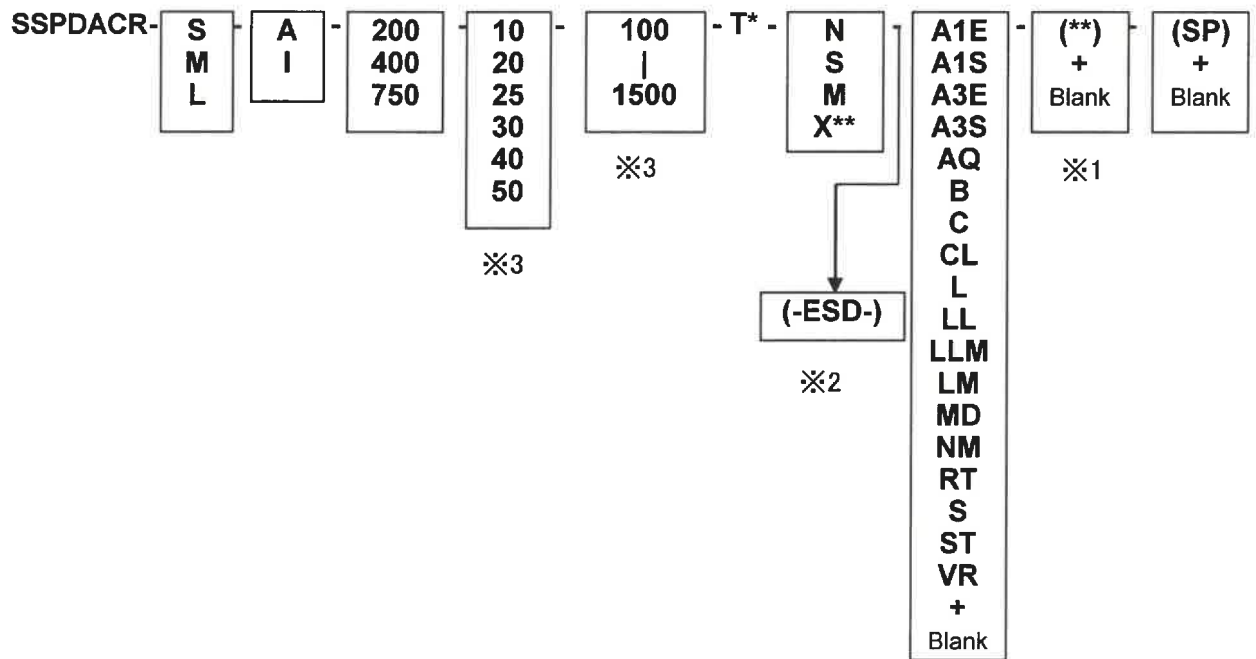
ISPB series





SSPA Series





RCS2 series

RCS2 - SA6R - I - 30 - 12 - 200 - T2 - R05 - CE - RH - SP

RCS2 - RA4C - I - 50 - 6 - 100 - T2 - R05 - HA - SP

RCS2 - RA5C - I - 100 - 8 - 100 - T2 - R05 - B - HA - SP

+ : Others may exist

- ※1 : The case of special requirement order may indicate, to fitted acceptance condition.
- ※2 : Anti-electrostatic type only set at the clean room (--CR) actuator.
- ※3 : The case of special requirement order may add the range, to fitted acceptance condition.