

EU DECLARATION OF CONFORMITY

Manufacturer:

IAI CORPORATION
1210, Ihara-cho, Shimizu-ku, Shizuoka-City, Shizuoka, 424-0114 Japan

Authorized representative within the Community:

IAI Industrieroboter GmbH
Ober der Röth 4, D-65824 Schwalbach am Taunus, Germany

Hereby declares that the equipment described below:

Equipment:

ROBO PUMP
(RP series)

Models covered are shown after the following page

Complies with the essential requirements of the EMC Directive 2014/30/EU, based on the following specifications applied:

EN 55011 :2016/A1 :2017/A11 :2020, EN 61000-6-2 : 2005/AC :2005,
EN 61800-3 :2004/A1 :2012

And also complies with the provisions of the RoHS Directive 2011/65/EU+(EU)2015/863, based on the following specifications applied:

EN IEC 63000 :2018

Done at Shizuoka, Japan,

On 8, Aug., 2024

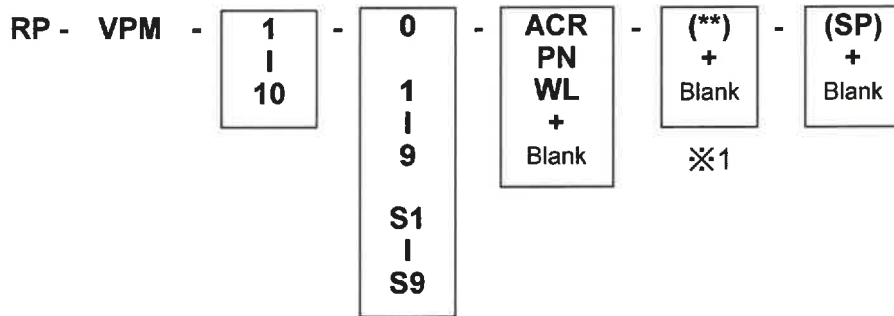


A handwritten signature in black ink, appearing to read 'Toru Ishida', is written over a horizontal line.

President Toru Ishida

ORIGINAL

RP series



※1 : The case of special requirement order may indicate, to fitted acceptance condition.