

## EC DECLARATION OF CONFORMITY

Manufacturer:

IAI CORPORATION  
577-1 Obane, Shimizu-Ku, Shizuoka City, Shizuoka 424-0103 Japan

Authorized representative within the Community:

IAI Industrieroboter GmbH  
Ober der Röth 4, D-65824 Schwalbach am Taunus, Germany

Hereby declares that the equipment described below:

Equipment:

ROBO Cylinder  
(RCA2, RCA , RCD and 16mm square SLIM series)

Models covered are shown after the following page

Complies with the essential requirements of the EMC Directive 2014/30/EU, based on the following specifications applied :

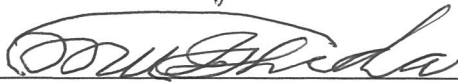
EN 55011 :2016/A1 :2017/A11 :2020, EN 61000-6-2 :2005/AC :2005,  
EN 61800-3 :2004/A1 :2012

And also complies with the provisions of the RoHS Directive 2011/65/EU+(EU)2015/863, based on the following specifications applied :

EN IEC 63000 :2018

Done at Shizuoka, Japan,

On 23. Aug. , 2021

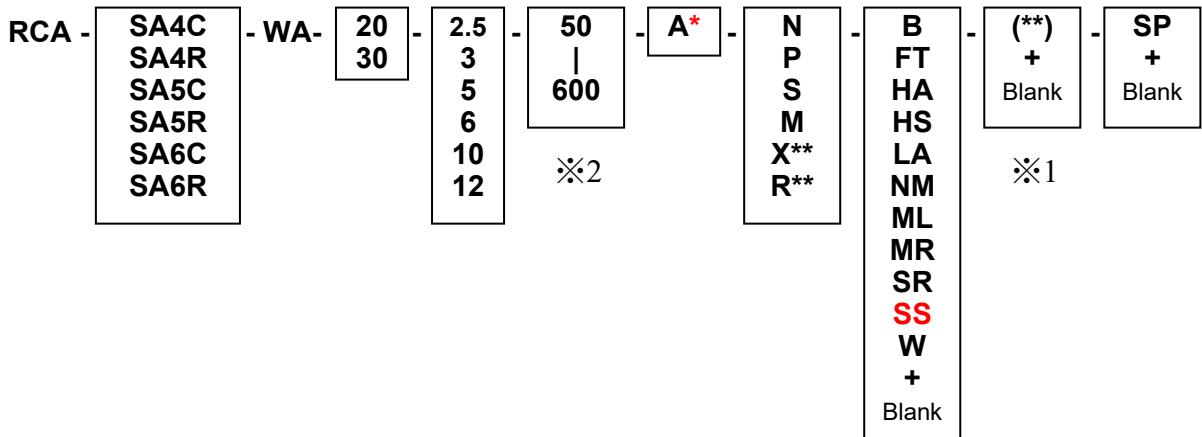
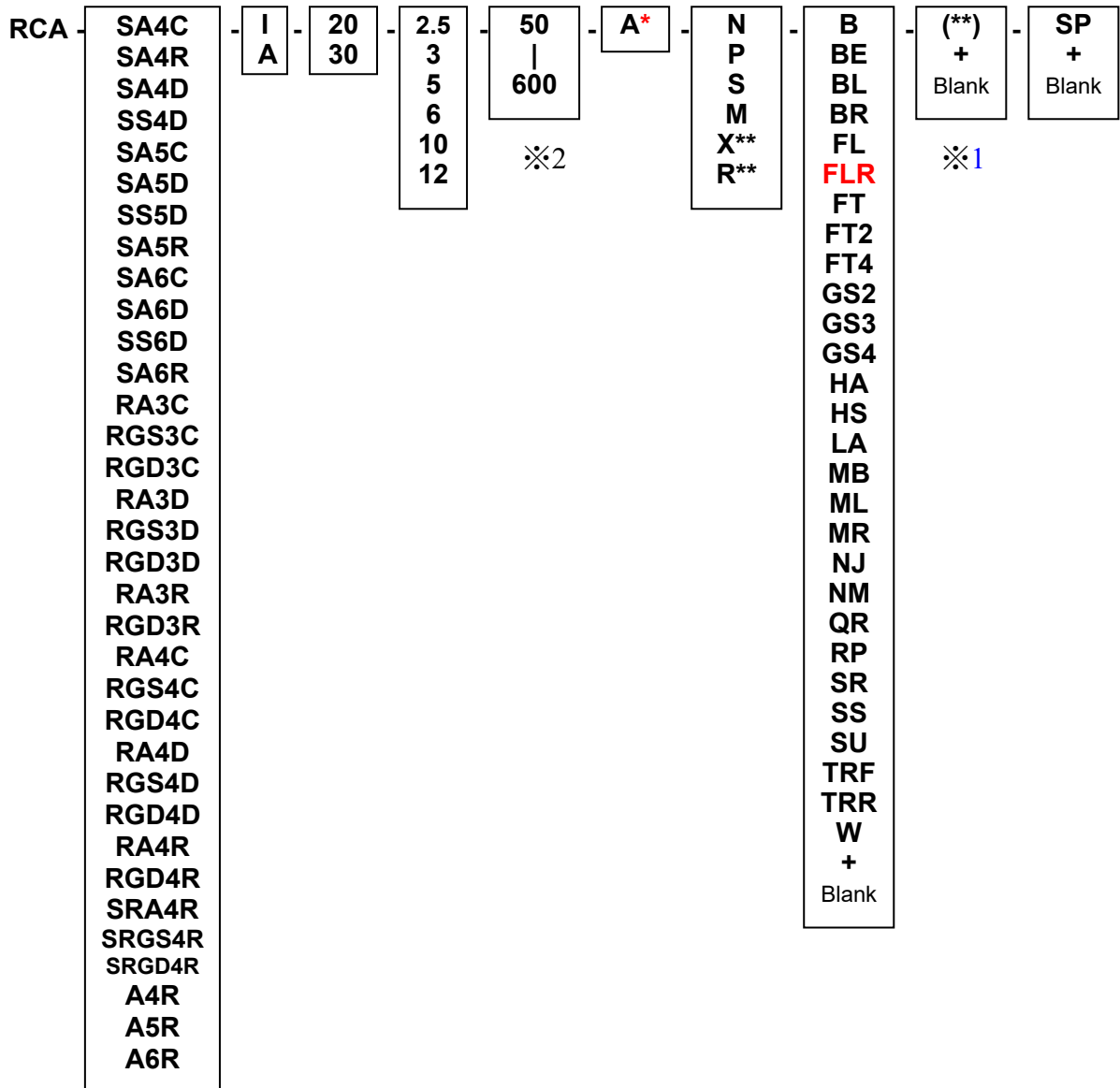


President Toru Ishida

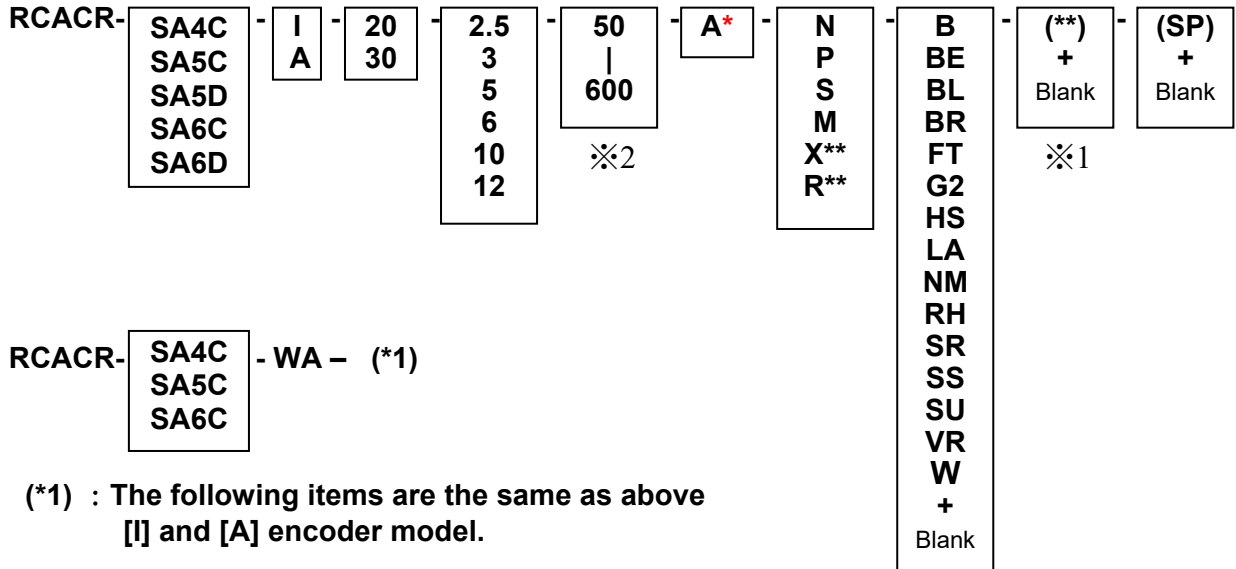


**ORIGINAL**

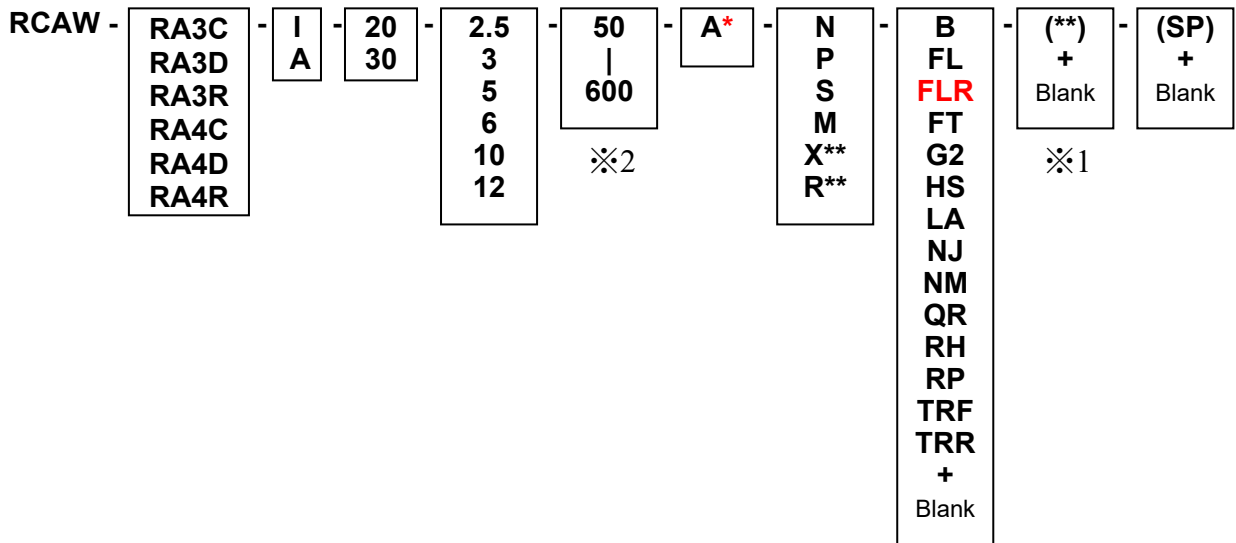
RCA series

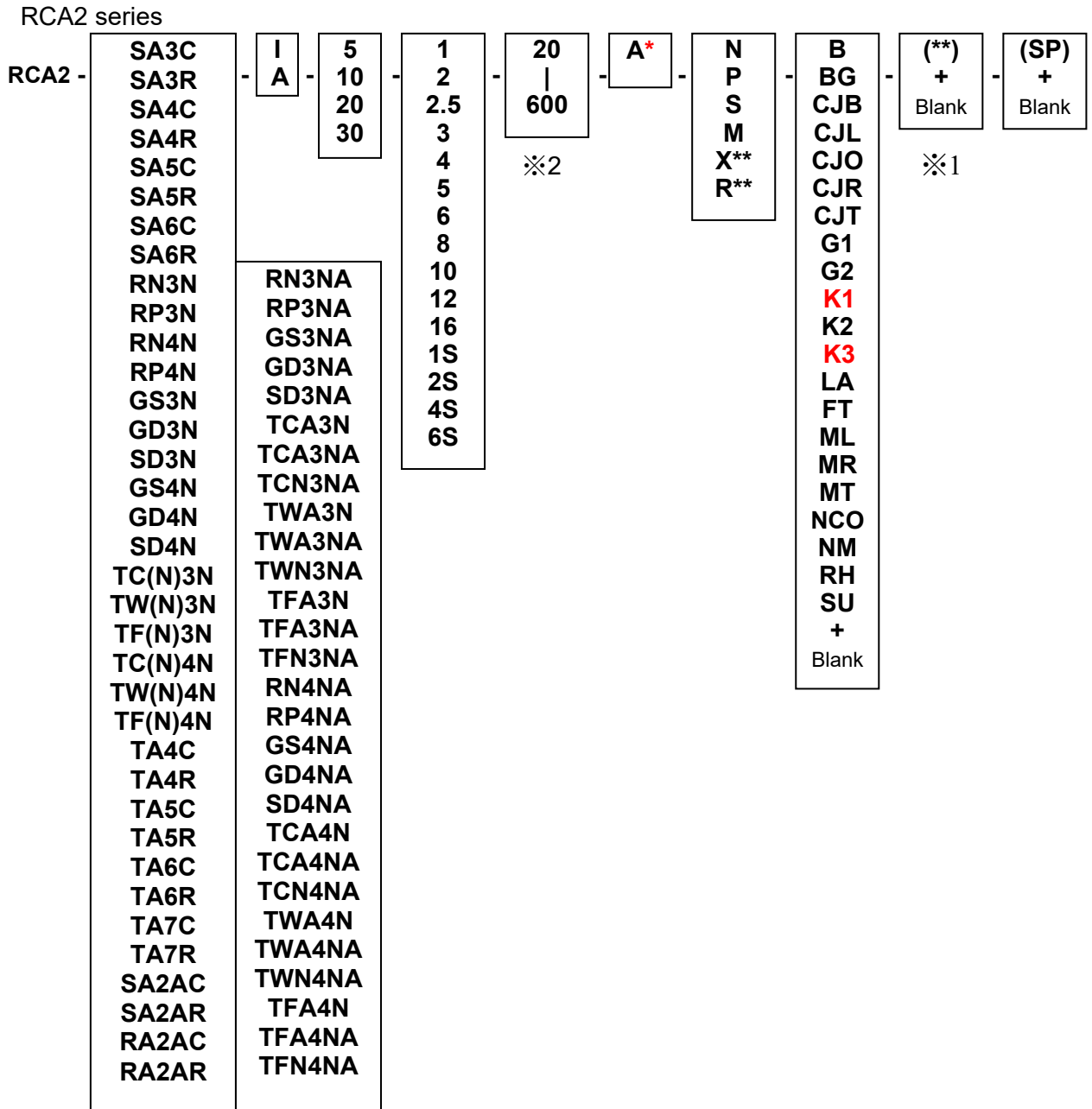


RCACR series

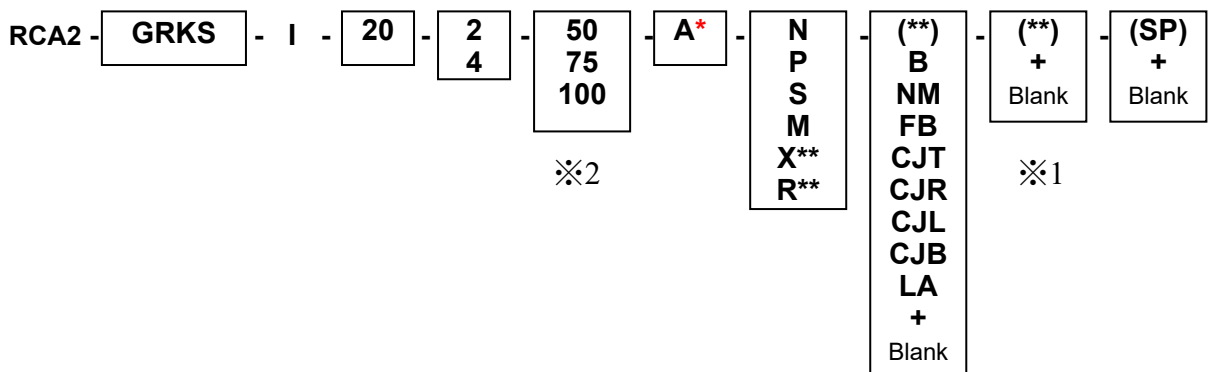


RCAW series

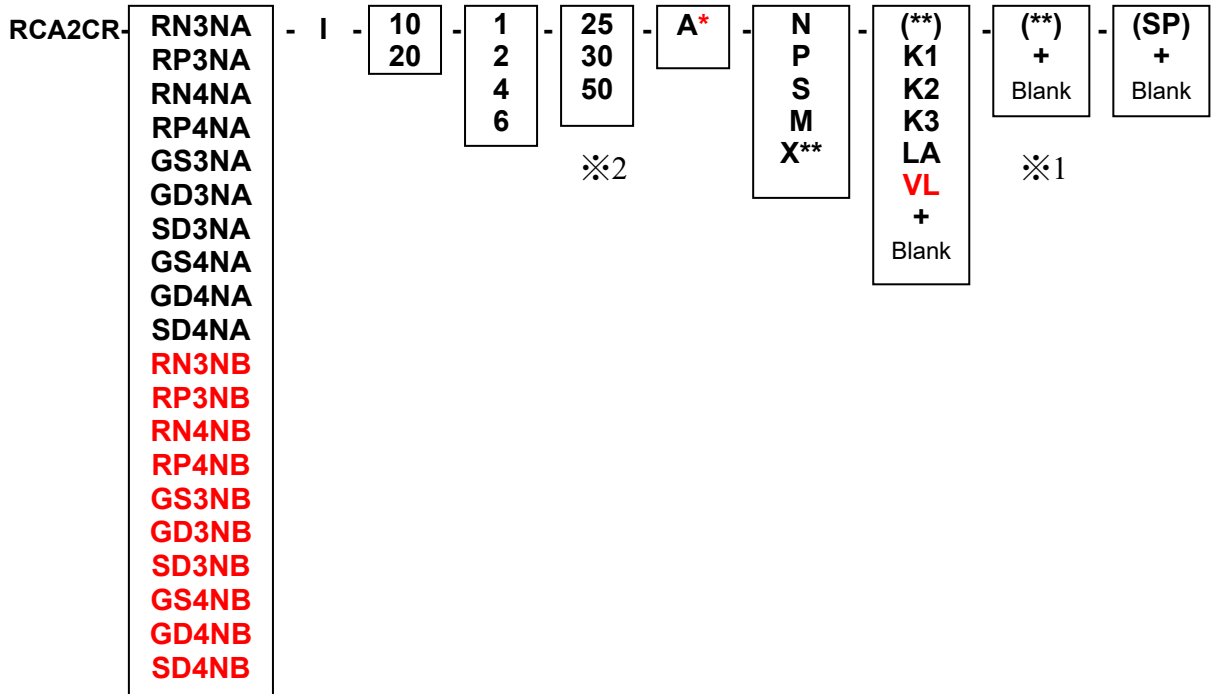




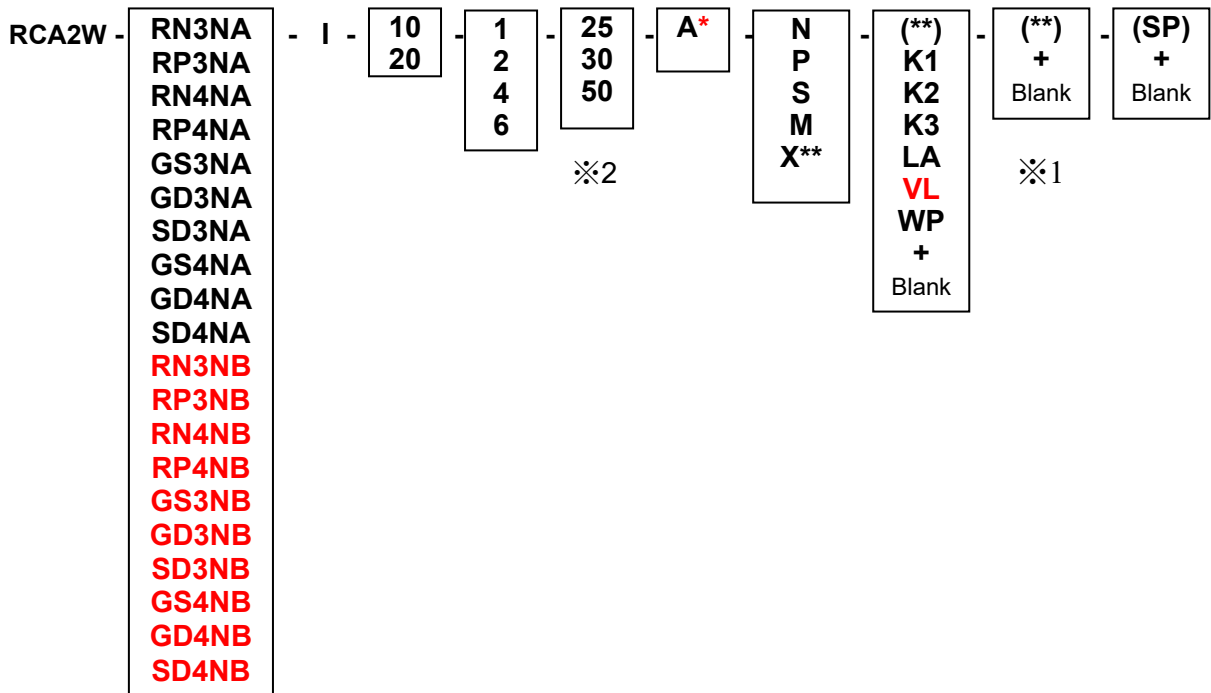
RCA2 Gripper series



RCA2CR series



RCA2W series



16mm Square SLIM series

16mm Square SLIM - 

|   |
|---|
| SLIDER<br>ROD<br>ROD Motor Reverse Type |
|---|

 - 

|                |
|----------------|
| with 10W Motor |
|----------------|

RCD series

RCD - 

|                                |
|--------------------------------|
| RA1D<br>RA1DA<br>GRSN<br>GRSNA |
|--------------------------------|

 - 

|   |
|---|
| I |
|---|

 - 

|   |
|---|
| 3 |
|---|

 - 

|   |
|---|
| 2 |
|---|

 - 

|                     |
|---------------------|
| 4<br>10<br>20<br>30 |
|---------------------|

 - 

|    |
|----|
| D* |
|----|

 - 

|                                |
|--------------------------------|
| N<br>P<br>S<br>M<br>X**<br>R** |
|--------------------------------|

 - 

|                    |
|--------------------|
| (**)<br>+<br>Blank |
|--------------------|

 - 

|                    |
|--------------------|
| (SP)<br>+<br>Blank |
|--------------------|

※2

※1

+ : Others may exist

※1 : Specified user's (Construction is the same standard model without this item) discrimination code which may be set not only this position but in the option column or before the option column.

※2 : The stroke may extend more than this range according to special user's request.