

EC DECLARATION OF CONFORMITY

Manufacturer:

IAI CORPORATION
577-1 Obane, Shimizu-Ku, Shizuoka City, Shizuoka 424-0103 Japan

Authorized representative within the Community:

IAI Industrieroboter GmbH
Ober der Röth 4, D-65824 Schwalbach am Taunus, Germany

Hereby declares that the equipment described below:

Equipment:

Wrist Unit (WU series)
Models covered are shown after the following page

Complies with the essential requirements of the EMC Directive 2014/30/EU, based on the following specifications applied

EN 55011 :2016/A1 :2017/A11 :2020, EN 61000-6-2 :2005/AC :2005,
EN 61800-3 :2004/A1 :2012

Also complies with the provisions of the Low Voltage Directive 2014/35/EU, based on the following specifications applied: (WU-L/LL series only)

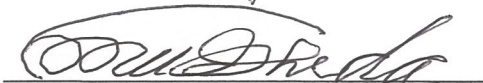
EN 61800-5-1 :2007
EN 60204-1 :2018

And also complies with the provisions of the RoHS Directive 2011/65/EU+(EU)2015/863, based on the following specifications applied :

EN IEC 63000 :2018

Done at Shizuoka, Japan,

On 23. Aug. , 2021

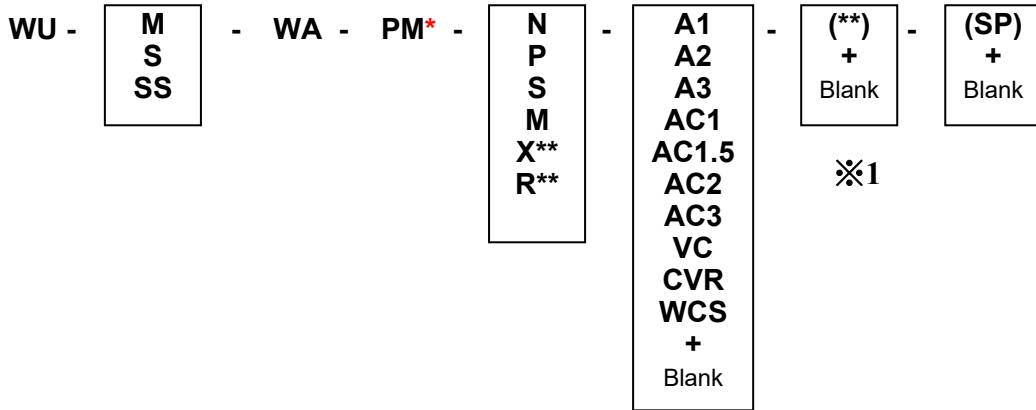


President Toru Ishida

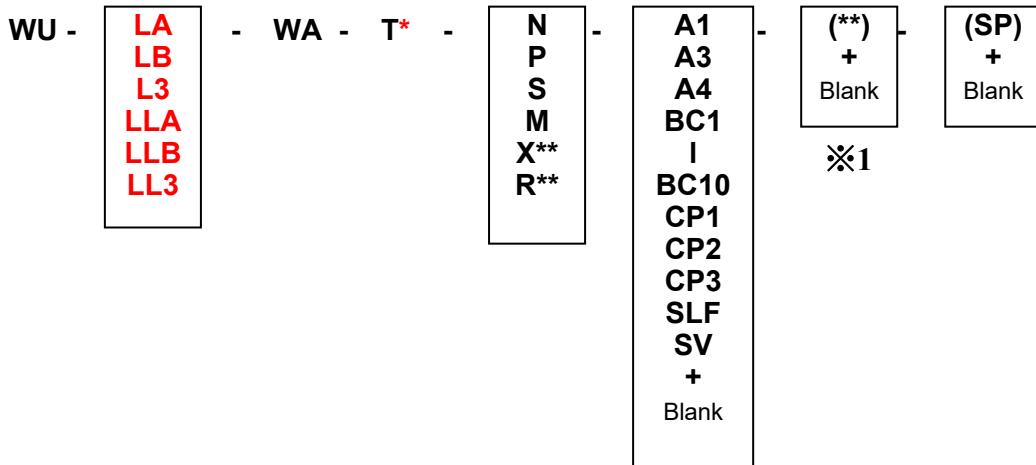


ORIGINAL

WU series



- * A2 is no setting for SS Model.
- * AC1/AC2/AC3 is only for SS Model.
- * AC1.5 is only for M and S Model.



- * Either of A1/A3/A4 is set for LA/LLA Model.
- * Either of BC1 to BC10 is necessary to indicate.
- * Either of CP1/CP2/CP3 is set for LB/L3/LLB/LL3 Model.

+ : Others may exist

※1 : Specified user's (Construction is the same as standard model except this item) discrimination code which may be set not only this position but in the option column or before the option column.