

EC DECLARATION OF CONFORMITY

Manufacturer:

IAI CORPORATION
577-1 Obane, Shimizu-Ku, Shizuoka City, Shizuoka 424-0103 Japan

Authorized representative within the Community:

IAI Industrieroboter GmbH
Ober der Röth 4, D-65824 Schwalbach am Taunus, Germany

Hereby declares that the equipment described below:

Equipment:

ROBO Cylinder
(RCP6 series)

Models covered are shown after the following page

Complies with the essential requirements of the EMC Directive 2014/30/EU, based on the following specifications applied :

EN 55011 :2016/A1 :2017/A11 :2020, EN 61000-6-2 :2005/AC :2005
EN 61800-3 :2004/A1 :2012

And also complies with the provisions of the RoHS Directive 2011/65/EU+(EU)2015/863, based on the following specifications applied :

EN IEC 63000 :2018

Done at Shizuoka, Japan,

On 23. Aug. , 2021



President Toru Ishida



ORIGINAL

RCP6 (S) series Slider / Rod Type

RCP6 - RCP6S	SA4C	-WA-	35P 42P 56P 56SP 60P	2.5 3 4 5 6 8 10 12 16 20 24 30	50 1300 ※2	P* SE	N P S M X** R**	B CJB CJL CJO CJR CJT FL FT G1-3 HPR ML MR MT NFA NM NTB SR SS W + Blank	(**) + Blank	(SP) + Blank
	SA4R									
	SA6C									
	SA6R									
	SA7C									
	SA7R									
	SA8C									
	SA8R									
	RA4C									
	RA4R									
	RA6C									
	RA6R									
	RA7C									
	RA7R									
	RA8C									
	RA8R									

RCP6 (S) series Table / Radial Cylinder Type

RCP6- RCP6S	TA4C	-WA-	35P 42P 56P 60P	2.5 3 4 5 6 8 10 12 16 20 24	50 700 ※2	P* SE	N P S M X** R**	B CJB CJL CJO CJR CJT DB FFA FL KFA ML MR NFA NJ NM QR + Blank	(**) + Blank	(SP) + Blank
	TA4R									
	TA6C									
	TA6R									
	TA7C									
	TA7R									
	RRA4C									
	RRA4R									
	RRA6C									
	RRA6R									
	RRA7C									
	RRA7R									
	RRA8C									
	RRA8R									

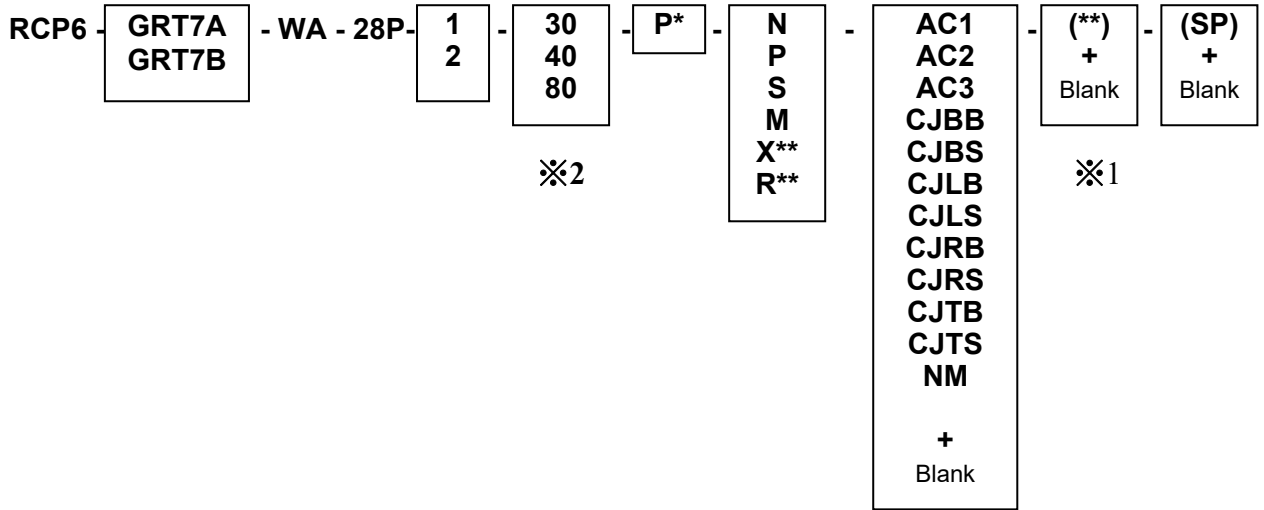
RCP6 (S) series Wide Slider / Wide Rod Type

RCP6 - RCP6S	WRA10C WRA10R WRA12C WRA12R WRA14C WRA14R WRA16C WRA16R WSA10C WSA10R WSA12C WSA12LR WSA12R WSA14C WSA14LC WSA14R WSA16C WSA16R	-WA-	35P 42P 56P 56SP 60P	2.5 3 4 5 6 8 10 12 16 20 24	50 1100 ※2	P* SE	N P S M X** R**	B CJB CJL CJO CJR CJT FL HPR ML MR NFA NM NTBL NTBR W + Blank	(**) + Blank ※1	(SP) + Blank	ZAC03 ZAC20 ZG1 ZG3 ZG4 ZVL ZVR

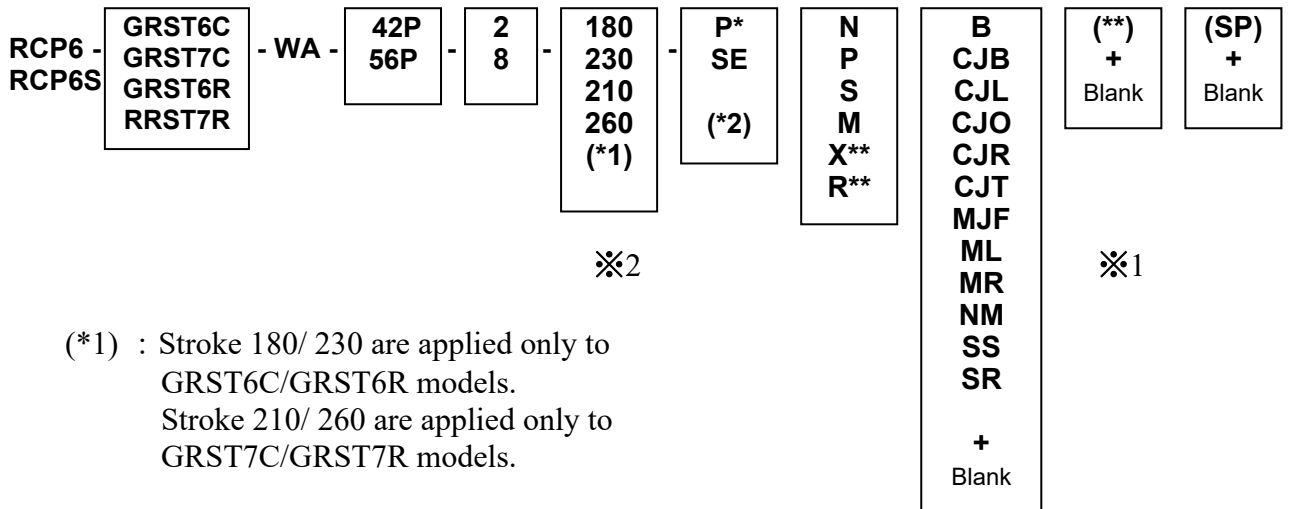
RCP6CR series Cleanroom Slider / Wide Slider Type

RCP6CR - RCP6SCR	SA4C SA6C SA7C SA8C WSA10C WSA12C WSA14C WSA16C	-WA-	35P 42P 56P 56SP	2.5 3 4 5 6 8 10 12 16 20 24	50 1300 ※2	P* SE	N P S M X** R**	B CJB CJL CJO CJR CJT G3 G4 HPR ML MR NM SR SS VR W + Blank	(**) + Blank ※1	(SP) + Blank	ZAC03 ZAC20 ZLST

RCP6 series Thinner Gripper Type



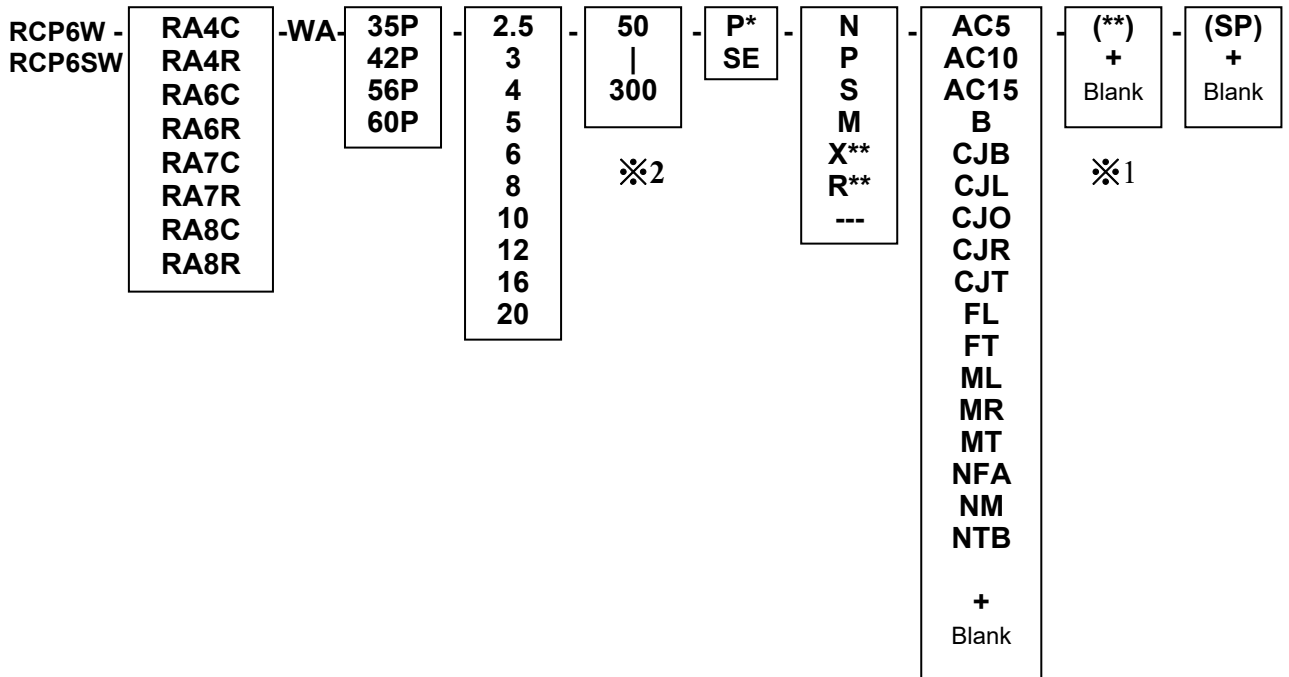
RCP6 series Long Stroke Gripper Type



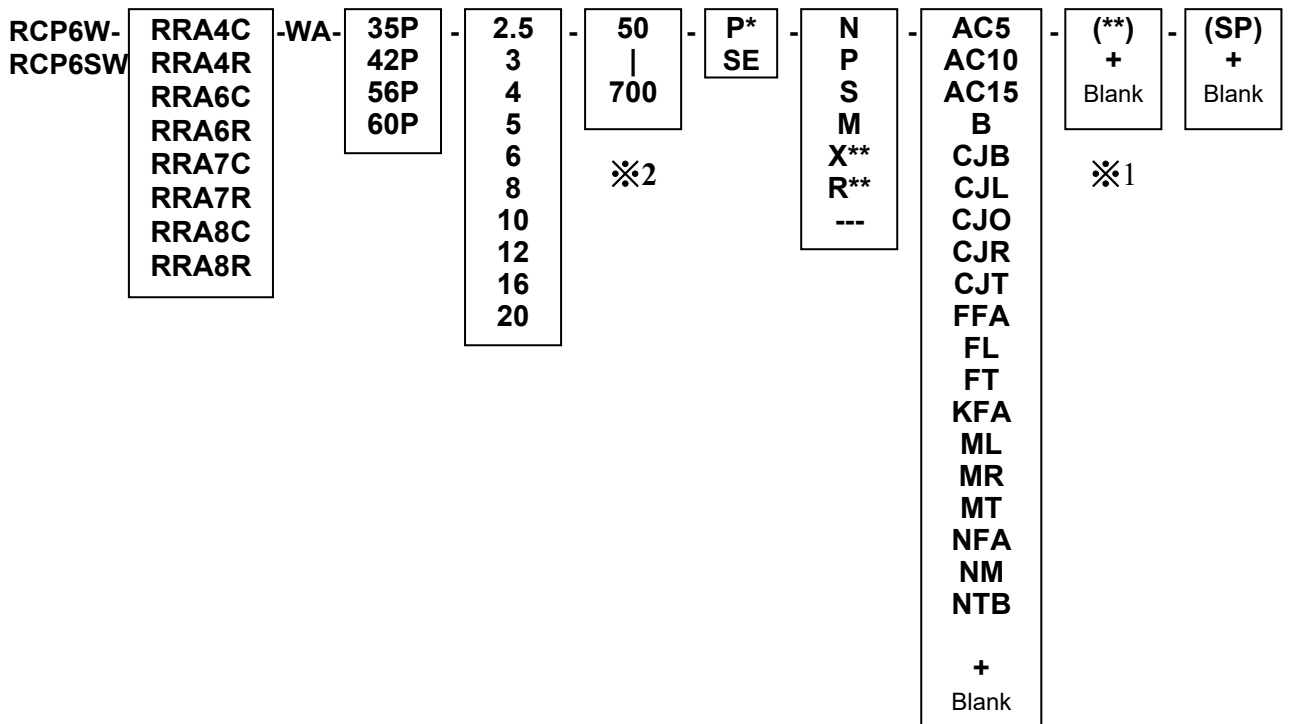
(*1) : Stroke 180/ 230 are applied only to GRST6C/GRST6R models.
Stroke 210/ 260 are applied only to GRST7C/GRST7R models.

(*2) : Controller selection SE is applied only to the Controller built-in model (RCP6S Type).

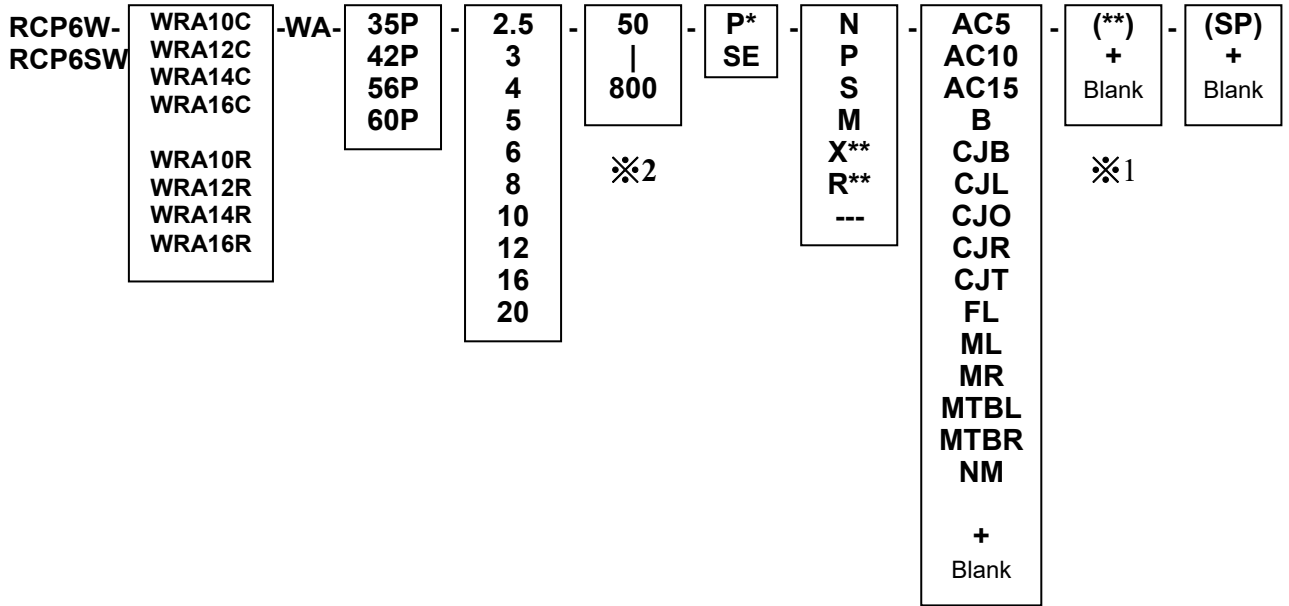
RCP6(S)W series Dust / Drip Proof Rod Type



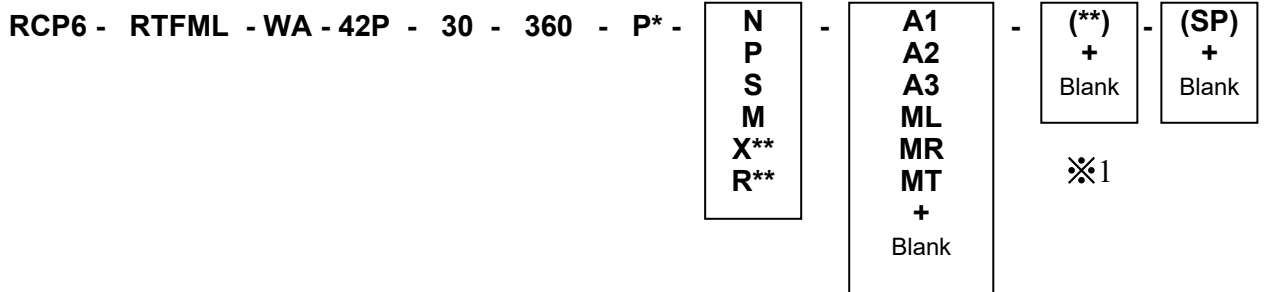
RCP6 (S)W series Radial Cylinder Rod Type



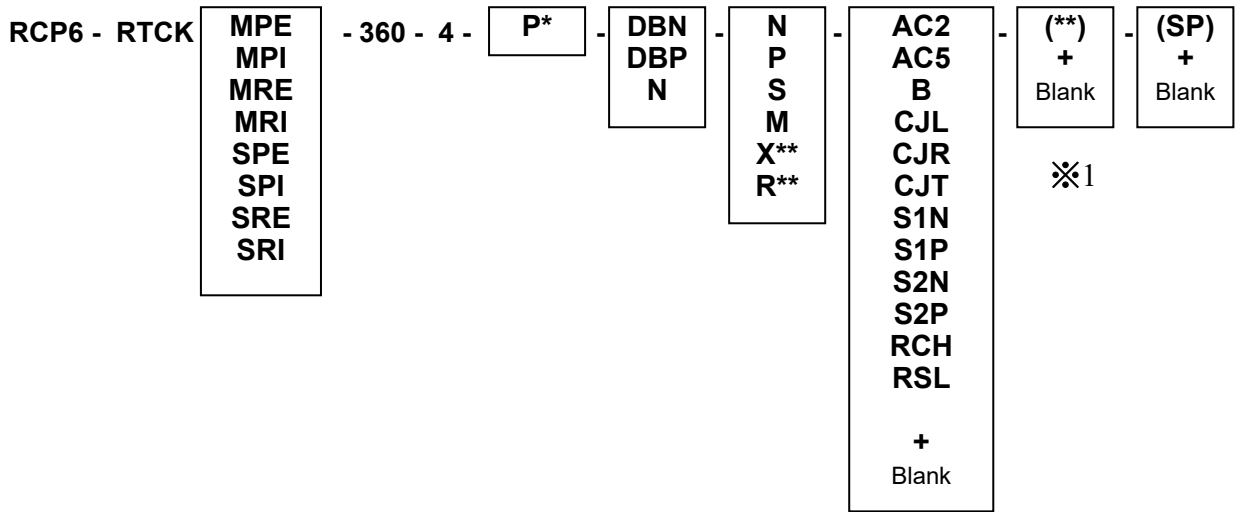
RCP6 (S)W series Wide Rod Type



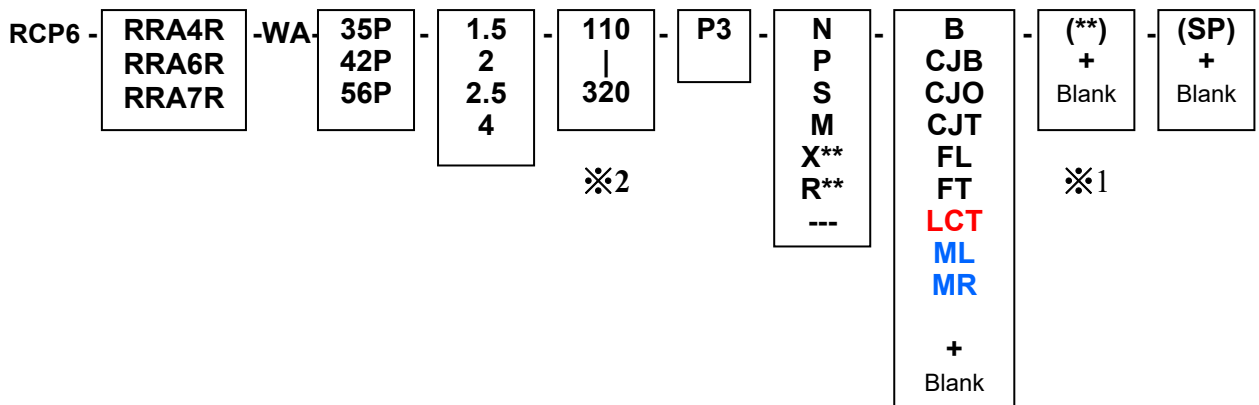
RCP6 series Large Diameter Hollow Rotary Type



RCP6 series Rotary Chuck Actuator



RCP6 series Servo Press (Pulse Press) Type



* Need to indicate LCT and either ML or MR

+ : Others may exist

※1 : Specified user's (Construction is the same as standard model except this item) discrimination code which may be set not only this position but in the option column or before the option column.

※2 : The stroke may extend more than this range according to special user's request.