

EC DECLARATION OF CONFORMITY

Manufacturer:

IAI CORPORATION
577-1 Obane, Shimizu-Ku, Shizuoka City, Shizuoka 424-0103 Japan

Authorized representative within the Community:

IAI Industrieroboter GmbH
Ober der Röth 4, D-65824 Schwalbach am Taunus, Germany

Hereby declares that the equipment described below:

Equipment:

ROBO Cylinder
(RCS2, RCS3 series)

Models covered are shown after the following page

Complies with the essential requirements of the EMC Directive 2014/30/EU, based on the following specifications applied:

EN 55011 :2016/A1 :2017/A11 :2020, EN 61000-6-2 :2005/AC :2005
EN 61800-3 :2004/A1 :2012

Also complies with the provisions of the Low Voltage Directive 2014/35/EU, based on the following specifications applied:

EN 61800-5-1 :2007
EN 60204-1 :2018

And complies with the provisions of the RoHS Directive 2011/65/EU+(EU)2015/863, based on the following specifications applied:

EN IEC 63000 :2018

Done at Shizuoka, Japan,

On 23. Aug. , 2021



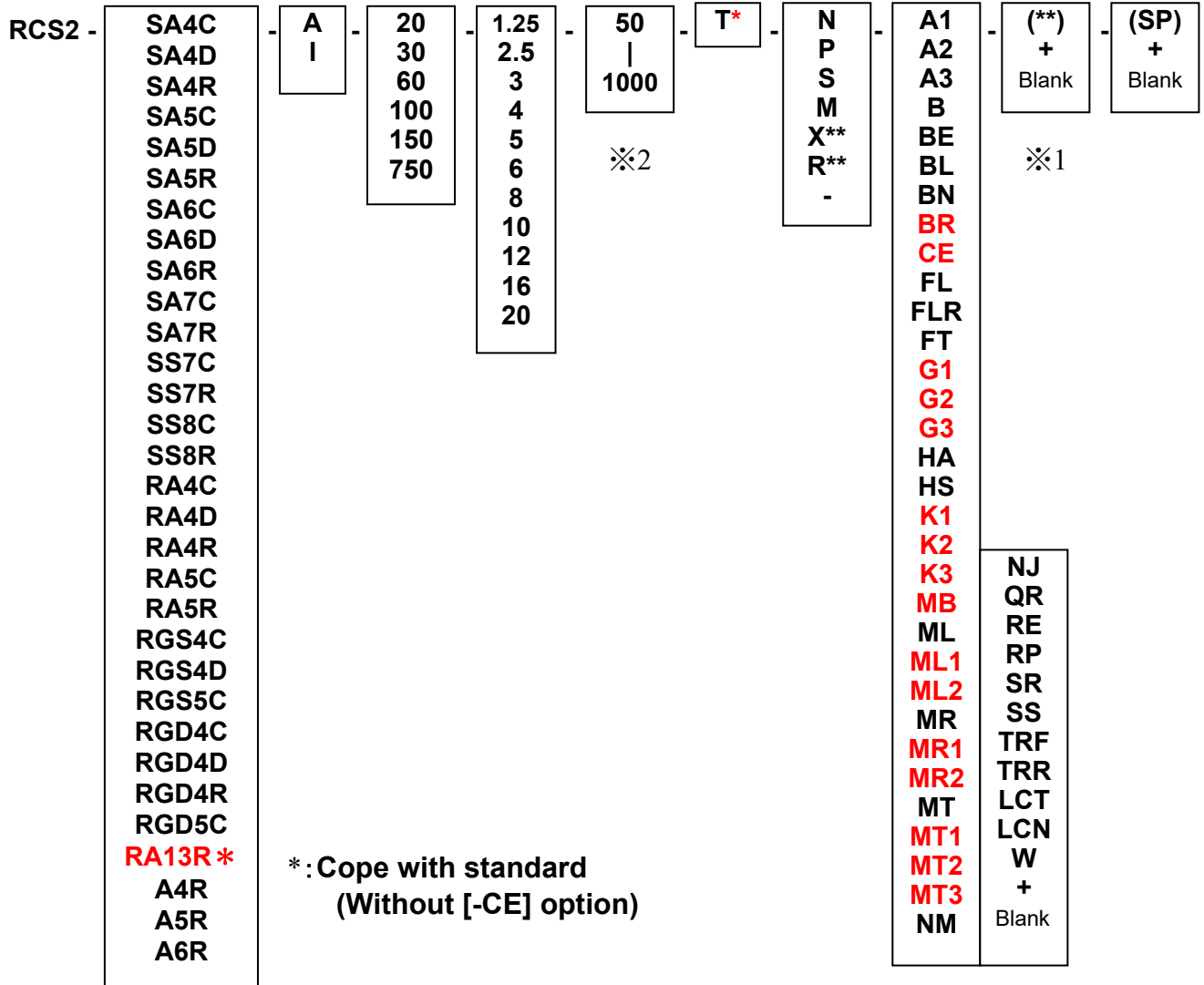
President Toru Ishida



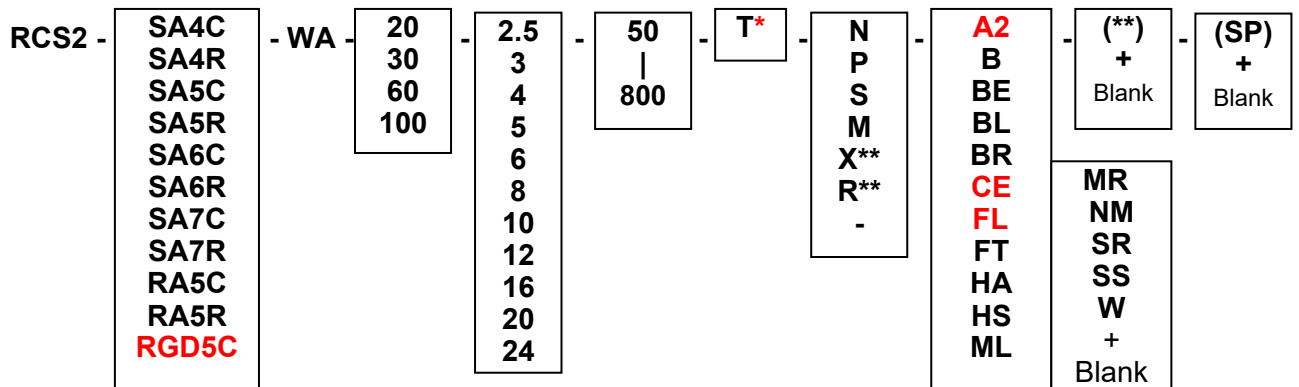
ORIGINAL

RCS2 Sries

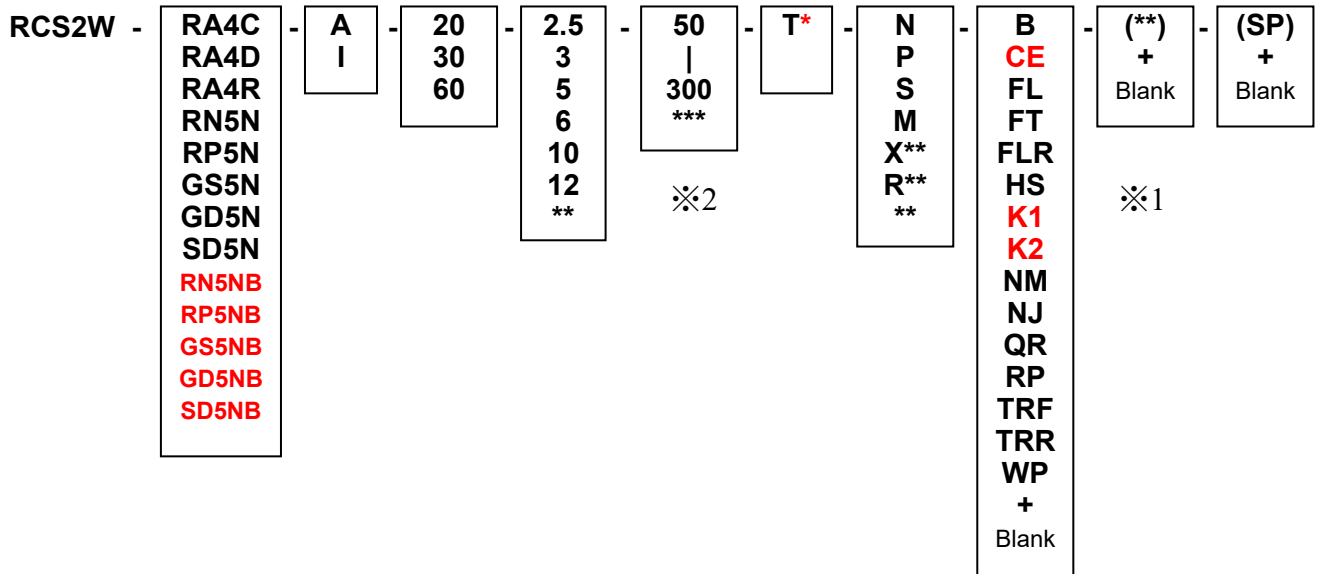
1. Slider、Rod、Short Rod、Arm Type



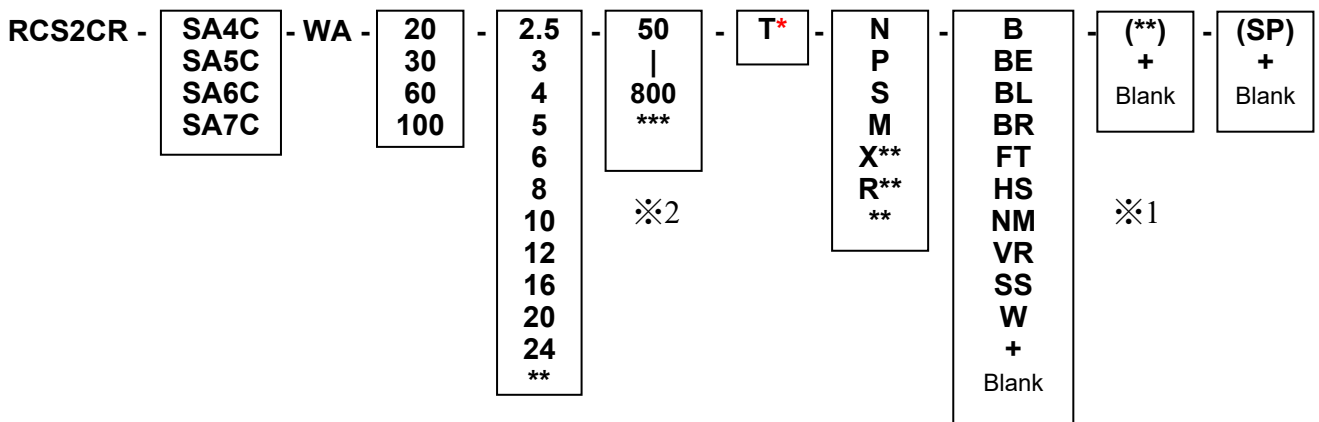
2. Slider with battery less absolute encoder type



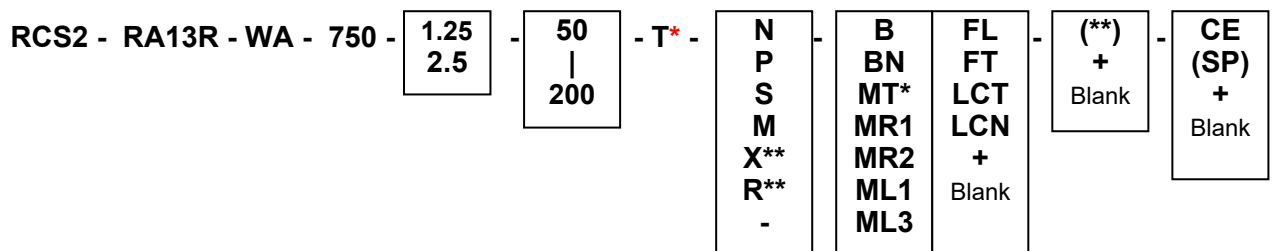
6. Waterproof type



7. Clean room type with battery less absolute encoder

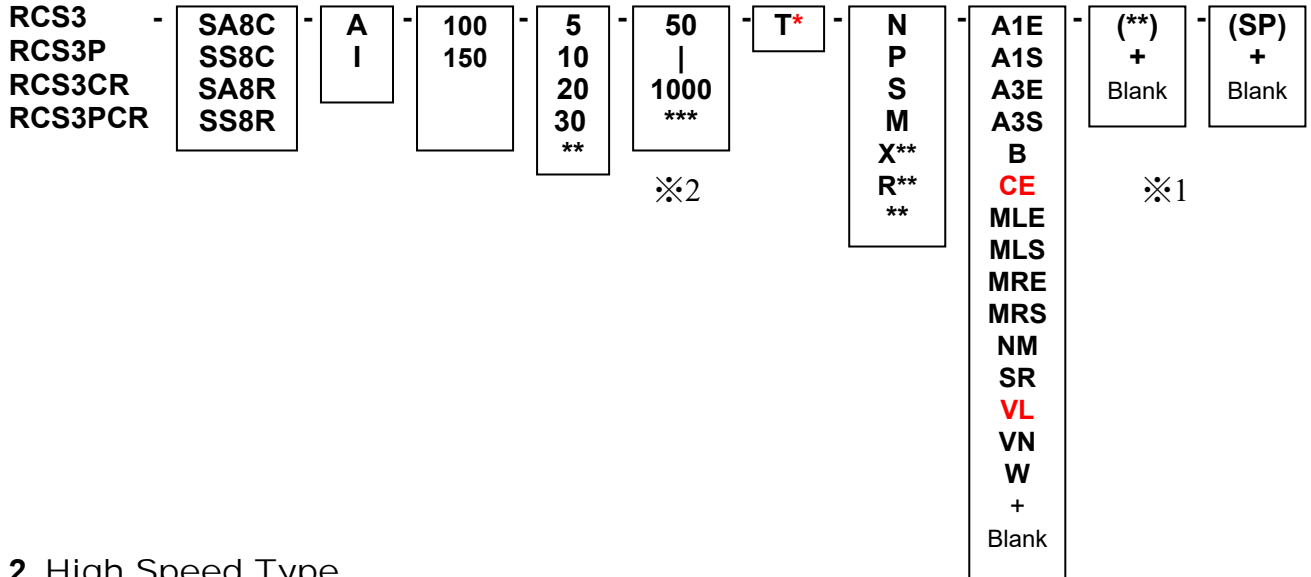


8. RCS2 Servo Press Type with battery less absolute encoder

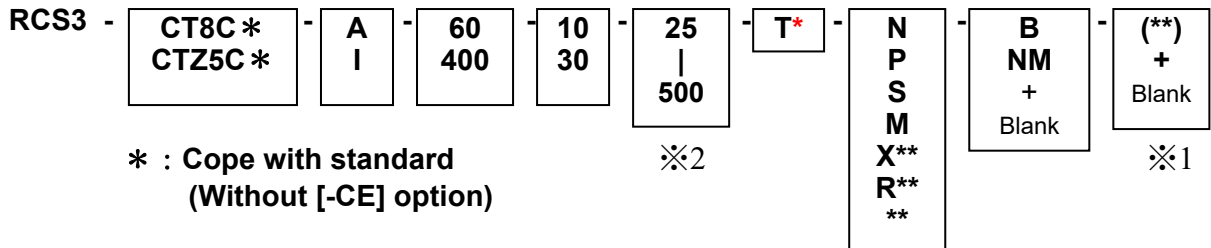


RCS3 Series

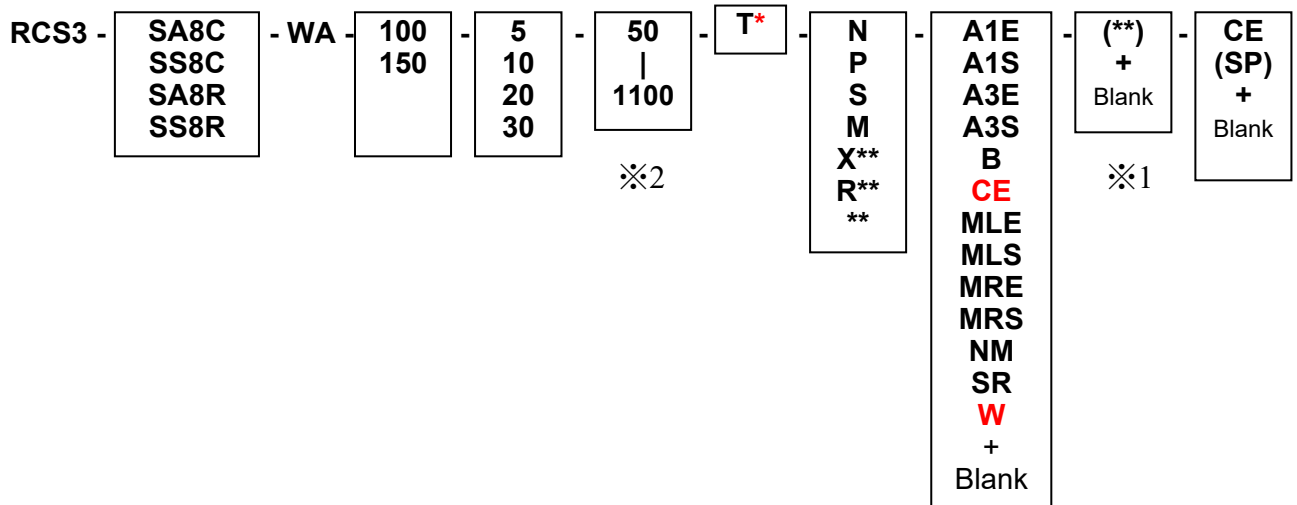
1. Slider、High Precision、Clean room specification



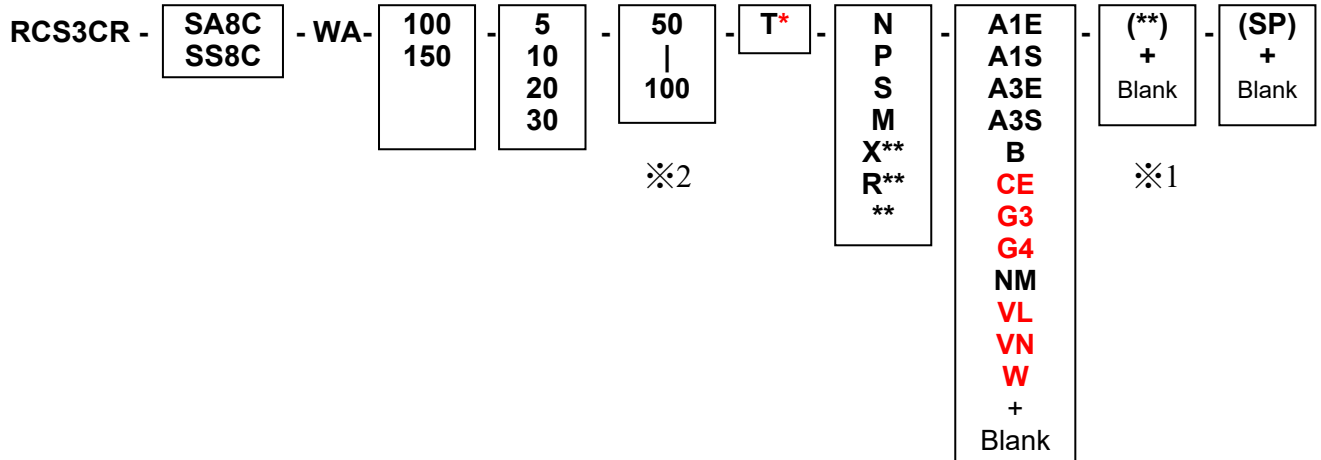
2. High Speed Type



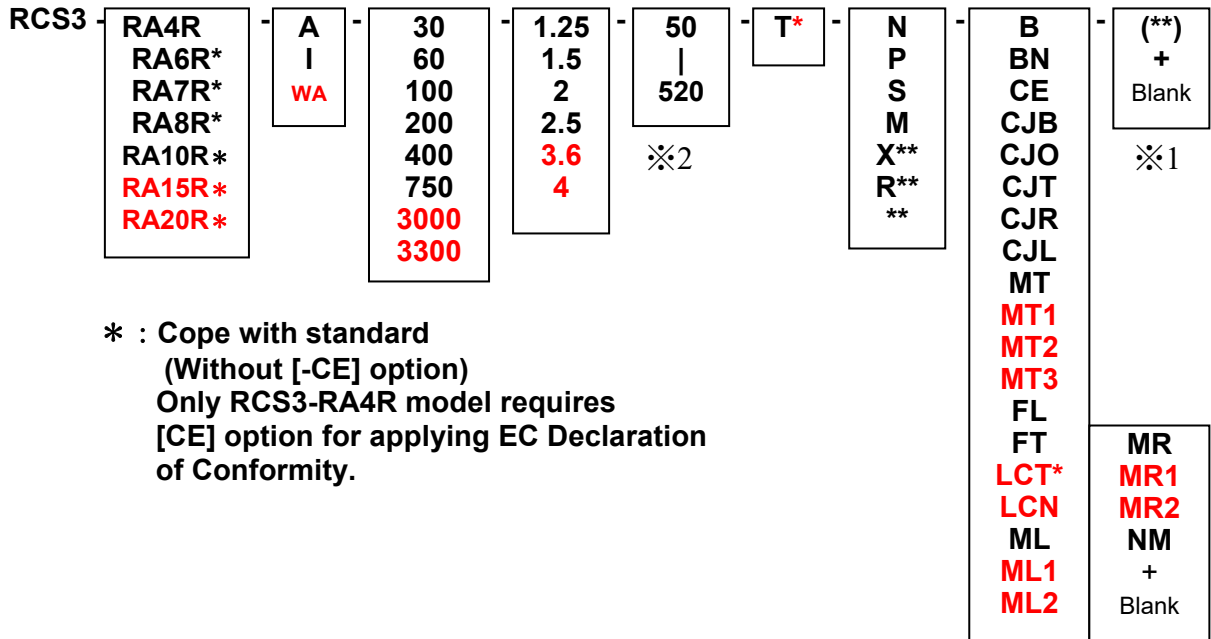
3. Slider with battery less absolute encoder type



4. Slider clean room with battery less absolute encoder type



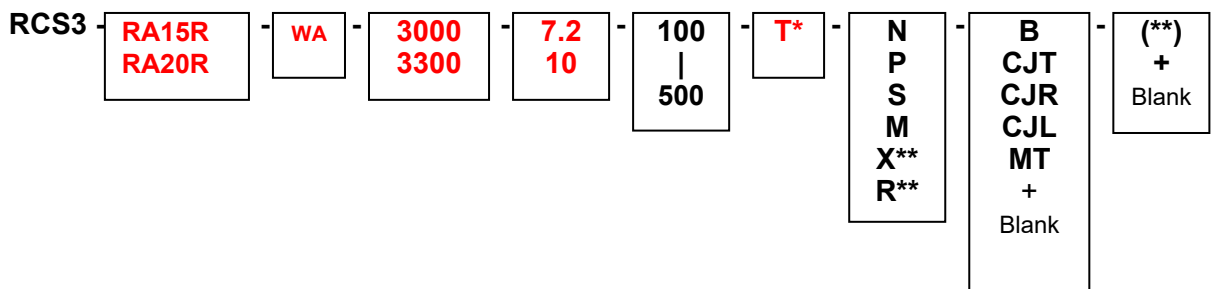
5. RCS3 Servo Press Type



* : Cope with standard
(Without [-CE] option)
Only RCS3-RA4R model requires
[CE] option for applying EC Declaration
of Conformity.

* : Always need

6. RCS3 Rod Carrying Type



+ : Others may exist

※1 : Specified user's (Construction is the same as standard model without this item) discrimination code which may be set not only this position but in the option column or before the option column.

※2 : The stroke may extend more than this range according to special user's request.