

EtherNet/IP Field Network Controllers

PCON-C/CG ACON-C/CG

Standard Network allows high-speed communication with its peripheral devices. PCON/ACONS are now available in EtherNet/IP-ready versions.

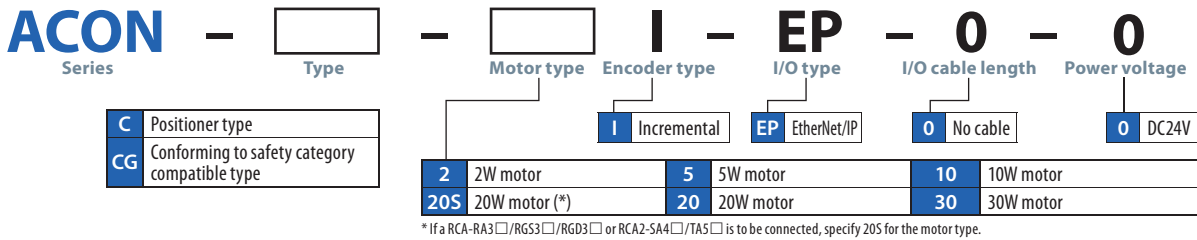
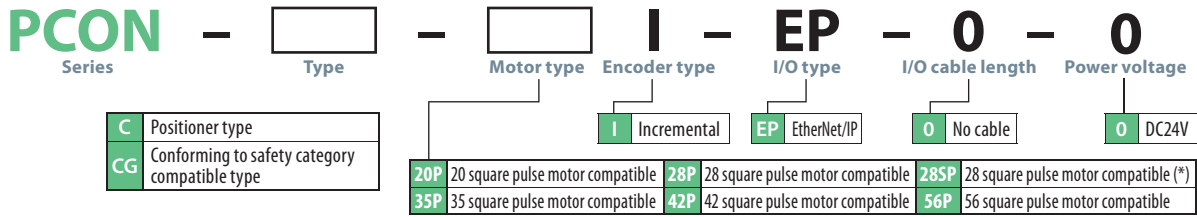
Features

- 1 High-speed and high-volume communication**
Allows 100Mbps high-speed communication, and the communication cycle can be set to each communication group. By setting an appropriate communication cycle to each communication group, high-speed mass transfer is attained.
- 2 Easy connection with peripherals**
EtherNet/IP is a global open field network. It is specified by the ISO/IEC 61158 series and is incorporated by numerous manufactures. With EtherNet/IP, IAI product can communicate with many peripheral devices.
- 3 Wire-saving**
EtherNet/IP controllers input and output data to/from the master via an Ethernet cable. This not only reduces the number of wires, but also prevents mis-wiring and achieves greater ease of maintenance.
- 4 Operate by Remote I/O mode (position table movements) or through Direct Control**
When operating an actuator you can choose to communicate with the controller in a mode most suited for the application. Remote I/O mode allows the selection of movements that have been predefined (varying positions, speeds, and other conditions) in the controller's position data table, whereas with Direct Control, these values may be specified directly to controller from the host.

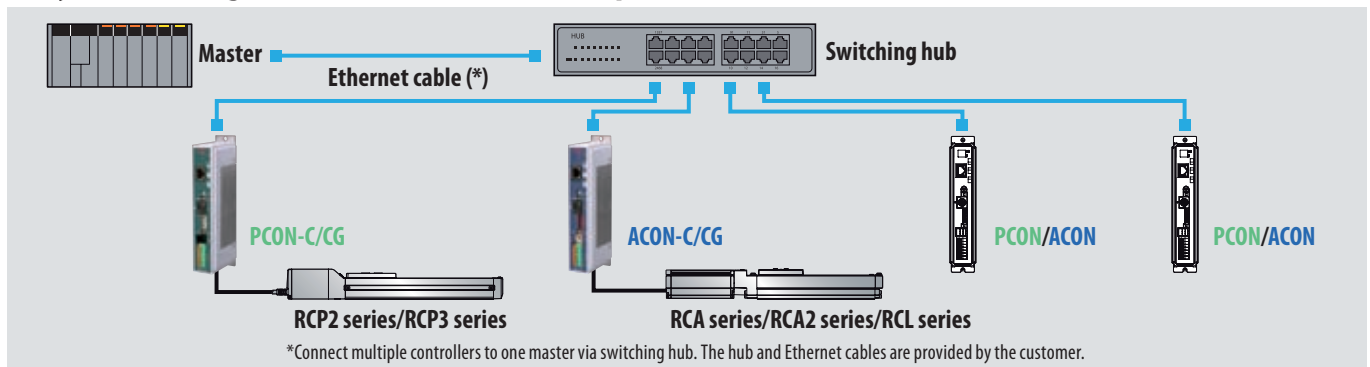
Types

	PCON-C/CG	ACON-C/CG
Connectable actuator	RCP2 series/RCP3 series	RCA series/RCA2 series/RCL series

Model Items



System Configuration (Connection Example)



EtherNet/IP Communication Specifications

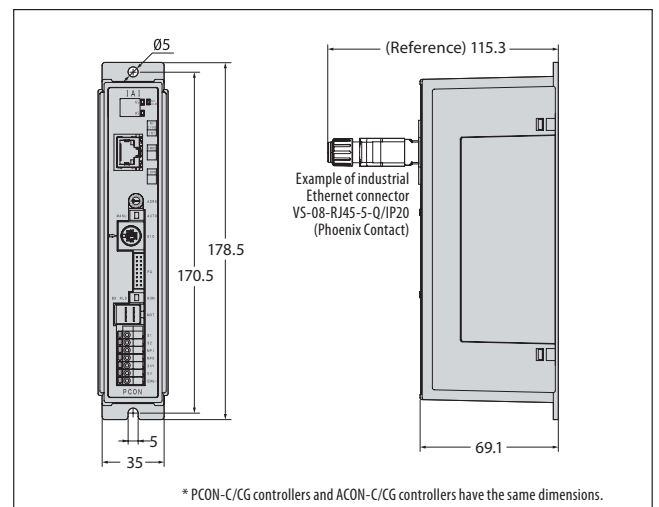
Item	Specification
Communication protocol	Dedicated EtherNet/IP protocol (Note 3)
Communication speed (Note 1)	10BASE-T/100BASE-T (Auto-negotiation setting is recommended)
Communication period	Automatically set according to the master
Communication cable length	Not to exceed 100 m between the hub and each node
Settable node addresses	0.0.0.0~255.255.255.255 (Set 192.168.0.1 at shipment)
Communication cable	Straight cable of category 5e or above (Double-shield cable braided with aluminum tape is recommended)
Connectors	RJ45 connector x 1
Connection hub (Note 2)	Switching hub

(Note 1) Make sure the link setting of the EtherNet/IP unit matches the communication mode set for the connected switching hub. If not, the link becomes unstable and communication cannot be performed properly. It is recommended to enable auto negotiation to set the baud rate for ACON and PCON. For further detail on communication setting, please refer to the EtherNet/IP manual.

(Note 2) Build your network using a switching hub, without using a repeater hub. If a repeater hub is used, tag data link operation may become unstable. For details, refer to the operation manual for your master unit.

(Note 3) PCON/ACON Ethernet-IP products are compatible with CIP IMPLICIT messaging only (Remote I/O mode) and not CIP EXPLICIT messaging (Messaging mode). Therefore, our products are compatible with Allen Bradley Logix controllers (ControlLogix, CompactLogix, SoftLogix) based upon RSLogix5000 only. Our products are not compatible with AB legacy products (MicroLogix, SLC500, Pico, or PLC5) based on RS500 or other operating systems.

External Dimensions – PCON-C/CG, ACON-C/CG



The versions of teaching tools supporting EtherNet/IP are listed below:

- PC software: V8.02.00.00 or later
- CON-PT/PD/PG: V1.20 or later
- CON-T/TG: V1.10 or later
- RCM-E/P: V2.20 or later

*If you are using any of these teaching tools of an earlier version, please contact IAI.